



HOLLAND FIFTH WHEEL PARTS REFERENCE GUIDE PARTS



FW35, FW3500, FW8, FW17, FW2000, FW2500 & FW2535 Series & Simplex Series, Castloc Series & 400C Fifth Wheels & SE, Taperloc & Inboard Sliders

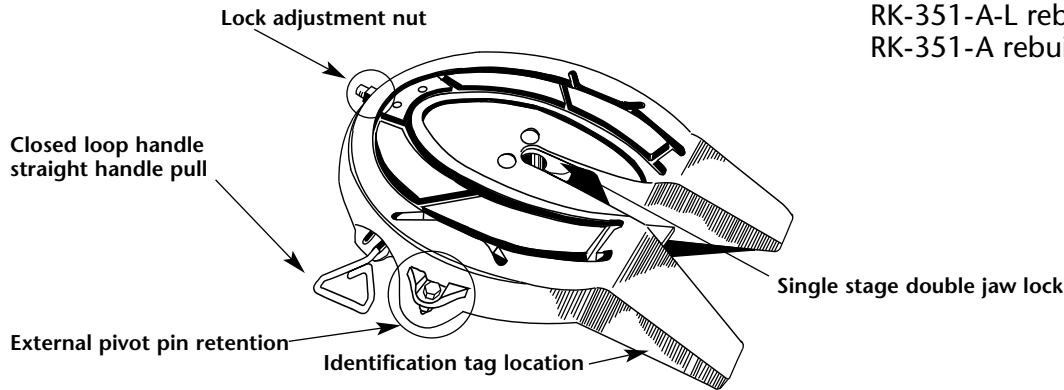
For parts, service, and warranty questions, call 888-396-6501 or visit www.hollandgenuineparts.com

TABLE OF CONTENTS

Fifth Wheel Assemblies	1-2
Bracket Identification/Identifying the Fifth Wheel Assembly.....	1-3
Types of Fifth Wheel Mounts	1-4
Brackets	1-5
FW3500 Series.....	1-6
FW35 Series	1-7
FW2000 Series.....	1-8
FW8 Series	1-9
FW17 Series	1-10
Explanation of Part Number Sequence	1-12
Rebuilding and Parts Kits.....	1-12
Slide Plates	1-13
Rubber Upshock Cushions	1-15
FW8, FW35, FW2500 & FW2535 Series Slide Bracket Parts	1-16
FW2500-H, FW2535-H & FW2536-H Series Slide Bracket Parts	1-17
Holland Fifth Wheel Air Cylinders.....	1-18
Holland Fifth Wheel Parts List	1-20
Holland Simplex II SE.....	1-22
Holland Simplex SE	1-24
Holland Simplex II	1-25
Holland Simplex	1-27
Holland Simplex Yard Tractor.....	1-29
Discontinued Simplex Lite.....	1-31
Discontinued Simplex IIR.....	1-33
Discontinued Simplex	1-34
Discontinued Castloc.....	1-35
Discontinued Castloc II.....	1-36
Holland Simplex Assemblies	1-37
Discontinued Simplex, Castloc, 400C and Slider Kits.....	1-38

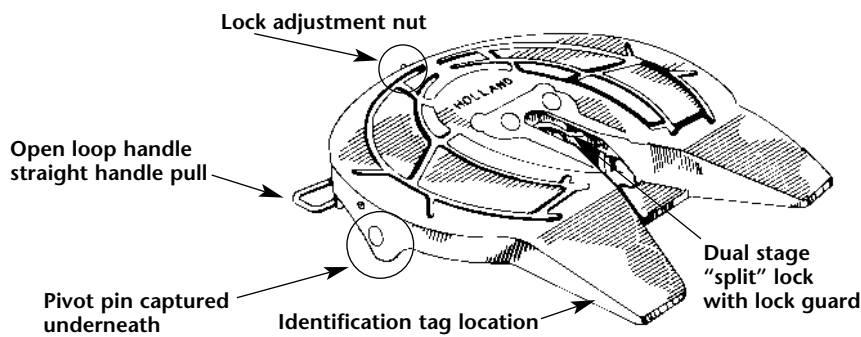
FIFTH WHEEL ASSEMBLIES

FW35 Assembly - XA-351-A-L-P (top plate)

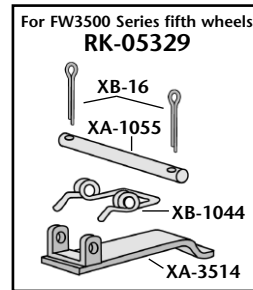


RK-351-A-L rebuild kit (left hand)
 RK-351-A rebuild kit (right hand)

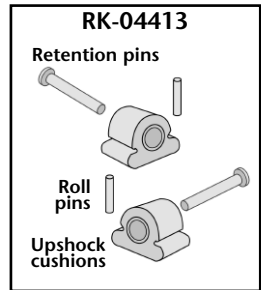
FW3500 or FW2535 Assembly - (Old style) - XA-3501 series (top plate)



RK-63501 rebuild kit (left hand)
 RK-63500 rebuild kit (right hand)

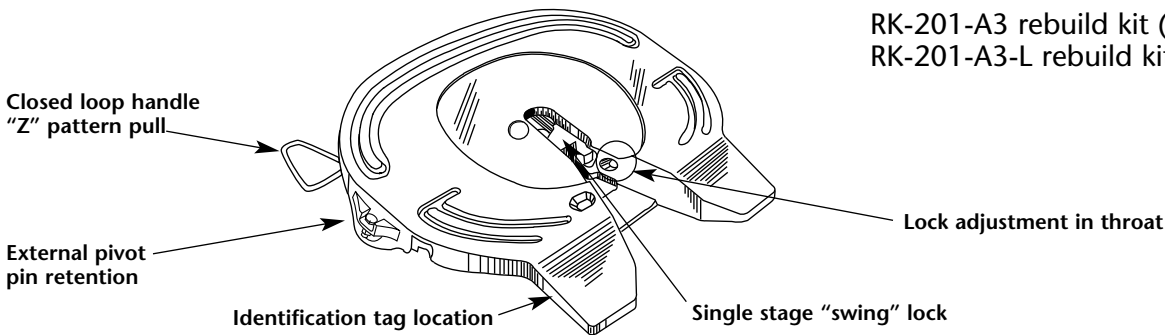


Lock guard kit for 3500 series



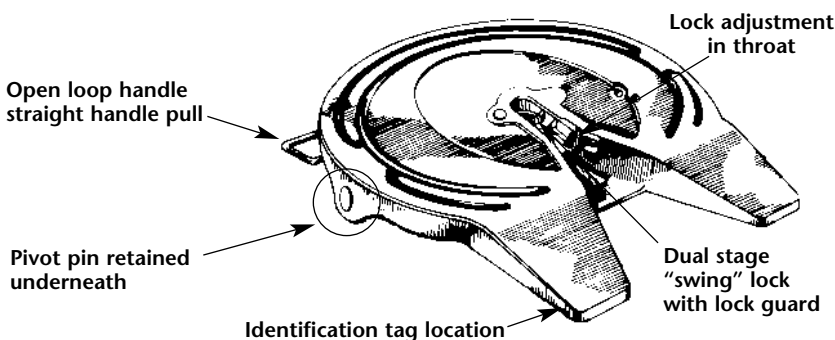
Pivot pin and bushing kit

FW8 Assembly - XA-201-A-L-P (top plate)

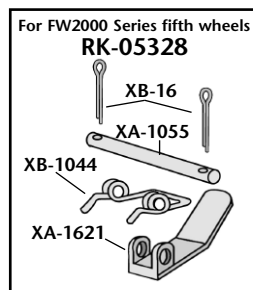


RK-201-A3 rebuild kit (right hand)
 RK-201-A3-L rebuild kit (left hand)

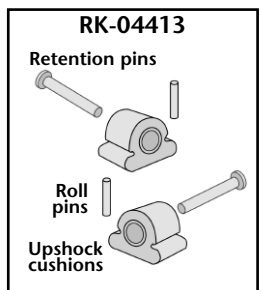
FW2000 or FW2500 Assembly - XA-2009 series top plate (obsolete)*



RK-62000 rebuild kit (right hand)
 RK-62001 rebuild kit (left hand)



Lock guard kit for 2000 series

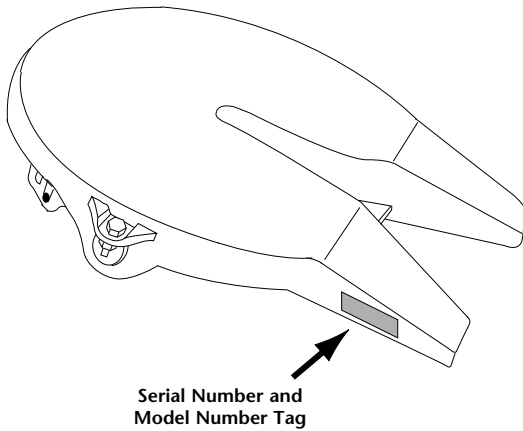


Pivot pin and bushing kit

* Top plate available to UPS and the Post Office only

BRACKET IDENTIFICATION

All of the information needed to determine your current fifth wheel bracket style and height is included in the fifth wheel model number printed on the serial number tag attached to the driver side pick-up ramp of the fifth wheel. The first four digits after the first “dash” (“-”) identify your bracket.



SERIAL NUMBER TAG

Located on the Driver-Side “Pick-up Ramp” of the Fifth Wheel



These four digits identify your current fifth wheel bracket style and height.

IDENTIFYING THE FIFTH WHEEL ASSEMBLY

Stationary over-the-frame angle mount

FW3500 series:

Stationary with obsolete XA-3501 top plate

FW3500-7813GL

Top plate Bracket Frame width Left hand release

G = 34" frame width

L = left hand release

Stationary outboard angle mount

FW35 series:

Stationary with XA-351 top plate

FW35-7883XR

Top plate Bracket Frame width Right hand release

X = no frame width used

R = right hand release

Air slide over-the-frame angle mount

FW35 series:

Slider with XA-351 top plate

FW35-7002G3L

Top plate Bracket Frame width Slide length LH Release

G = 34" frame width

3 = 24.5" slide travel

L = left hand release

Air slide outboard angle mount

FW35 series:

Slider with XA-351 top plate

FW35-8002T3L

Top plate Bracket Frame width Slide length LH Release

T = outboard angle

3 = 24.5" slide travel

L = left hand release

Stationary over-the-frame angle mount

FW2000-7811GL

Stationery with XA-2009 top plate and 34" frame width

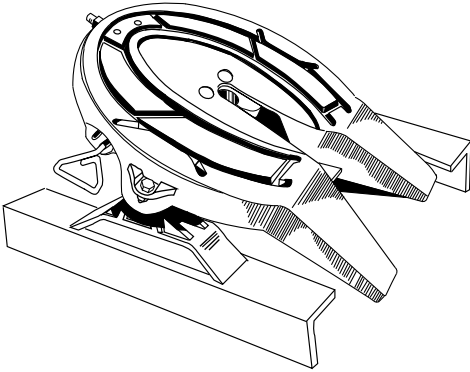
Slider with over-the-frame angle mount

FW2500-7003G3L

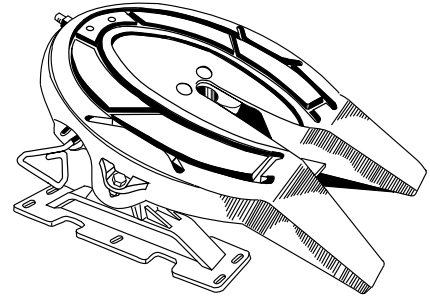
Stationery with XA-2009 top plate and 34" frame width

TYPES OF FIFTH WHEEL MOUNTS

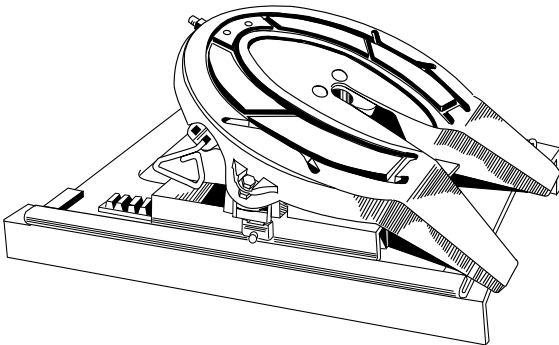
Over-the-frame stationary mount



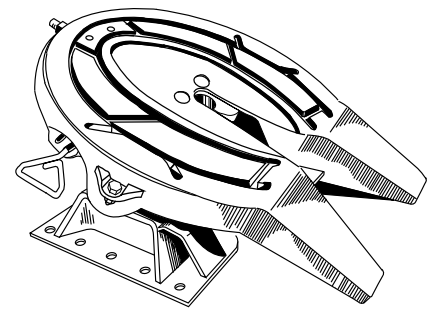
Plate/base mount



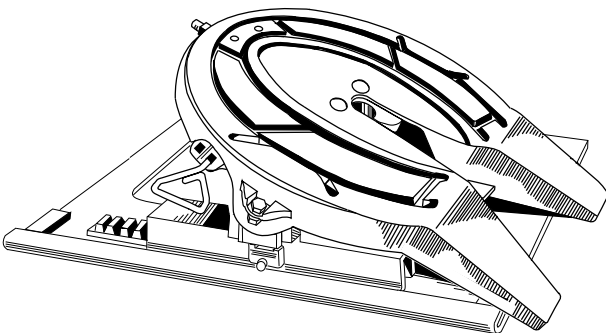
Over-the-frame slider mount



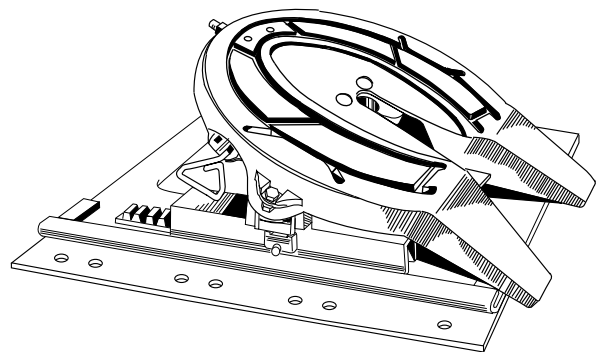
Outboard angle stationary



Over-the-frame slider for angle mount



Outboard angle slider mount

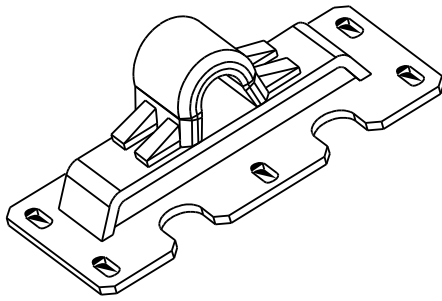


Measurements

- Frame width:** from the outside of the tractor frame to the opposite side of the outside frame
- Fifth wheel height:** from the top of the tractor frame to the top of the fifth wheel when it's level
(do not include the angles or brackets)

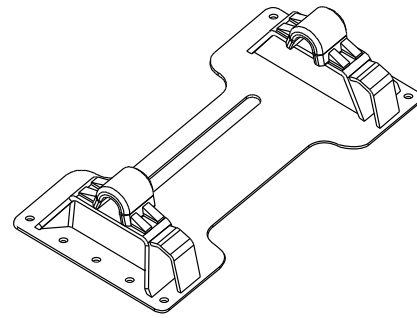
BRACKETS

Mounting Base Style



MOUNTING BASE STYLE BRACKETS		
Fifth Wheel Model Number	Bracket Part Number	Height*
FW __-7801 __	XA-7801	8.69"
FW __-7802 __	XA-7802	7.69"
FW __-7803 __	XA-7803	6.69"
FW __-7804 __	XA-7804	5.69"

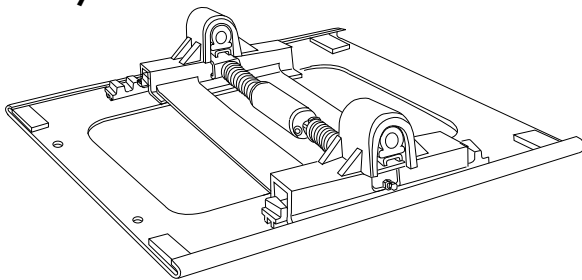
"Dog Bone" Style



"DOG BONE" STYLE BRACKETS		
Fifth Wheel Model Number	Bracket Part Number	Height*
FW __-7883 __	XA-7883	8.69"
FW __-7884 __	XA-7884	7.69"
FW __-7885 __	XA-7885	6.69"
FW __-7886 __	XA-7886	5.69"

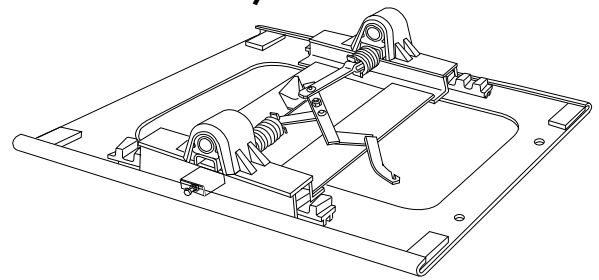
*Height of the fifth wheel from the tractor frame to the top of the fifth wheel plate when level.

Air Style



AIR STYLE BRACKETS			
Fifth Wheel Model Number	Bracket Part Number	Release Style	Height*
FW __-7001 __ FW __-8001 __	XA-7001	AIR	9.00"
FW __-7002 __ FW __-8002 __	XA-7002	AIR	8.00"
FW __-7003 __ FW __-8003 __	XA-7003	AIR	7.00"
FW __-7301 __ FW __-8301 __	XA-7301	AIR	8.50"
FW __-7009 __ FW __-8009 __	XA-7009	AIR	10.50"

Manual Release Style



MANUAL STYLE BRACKETS			
Fifth Wheel Model Number	Bracket Part Number	Release Style	Height*
FW __-7011 __ FW __-8011 __	XA-7011	MANUAL	9.00"
FW __-7012 __ FW __-8012 __	XA-7012	MANUAL	8.00"
FW __-7013 __ FW __-8013 __	XA-7013	MANUAL	7.00"
FW __-7311 __ FW __-8311 __	XA-7311	MANUAL	8.50"
FW __-7019 __ FW __-8019 __	XA-7019	MANUAL	10.50"

*Height of the fifth wheel from the tractor frame to the top of the fifth wheel plate when level.

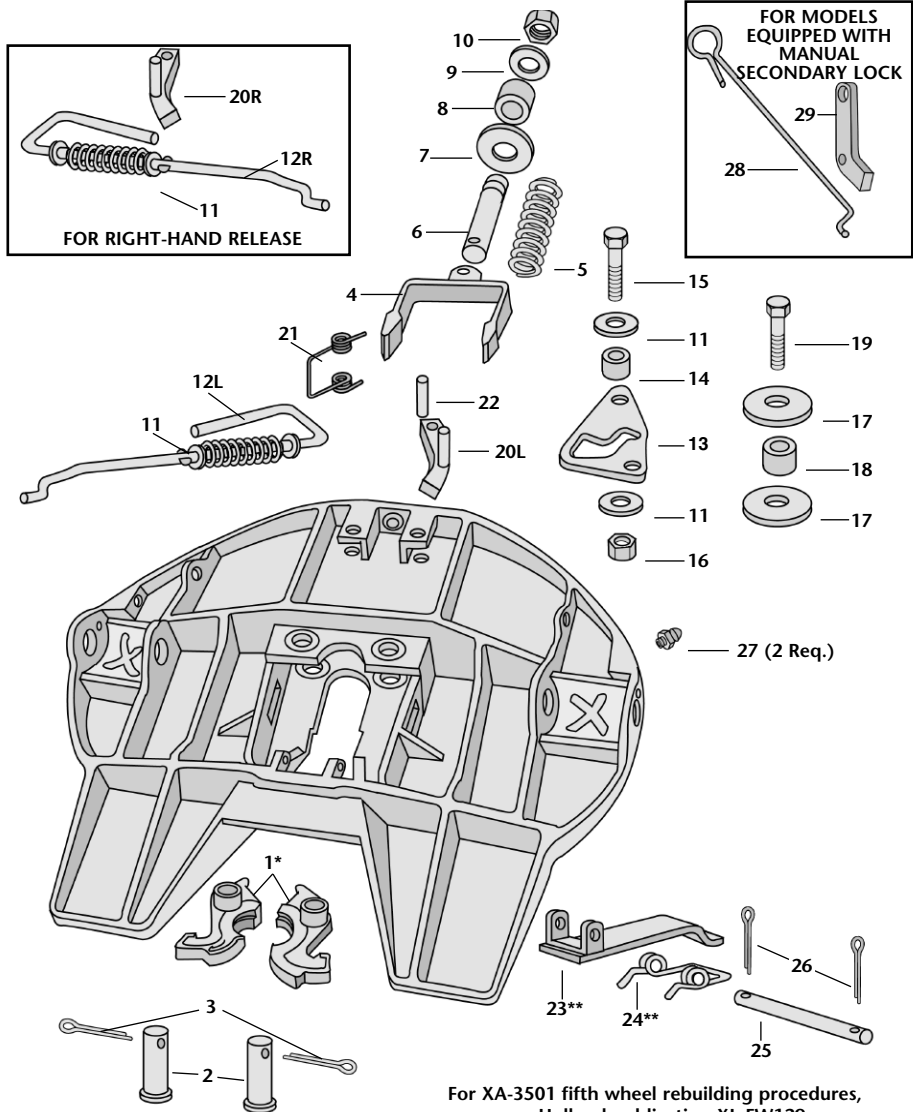
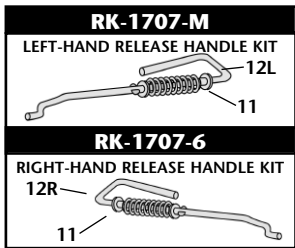
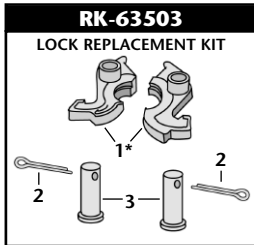
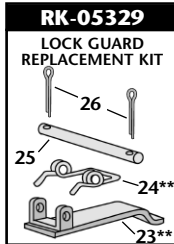
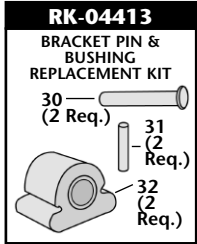
FW3500 SERIES EXPLODED VIEW - Yokeshaft in front, No "ears"



XA-3501 Rebuild Kit

RK-63500: Right-hand Release

RK-63501: Left-hand Release



For XA-3501 fifth wheel rebuilding procedures, see Holland publication XL-FW129

XA-3501 SERIES PARTS LIST

ITEM	PART NO.	NO. REQ'D.	PART NAME
1	XA-1704*	1	Lock Jaws
2	XA-1313	2	Lock Pin
3	XB-5	2	Cotter Pin 1/4" x 2"
4	XA-1703-F	1	Yoke Sub-Assembly
5	XB-1505	1	Spring
6	XA-1706	1	Yoke Shaft
7	XB-02312	1	Lock Adjustment Tag
8	XB-1127	1	Rubber Washer
9	XB-PW-1316-112	1	Washer 1-1/2" OD x 13/16" ID
10	XB-HNH-34-F	1	Locknut 3/4"-16
11	XB-T-49	3	Washer 1-3/4" OD x 9/16" ID
12L	RK-1707-M	1	Left-Hand Release Handle S/A (Part No. (11) must be installed on handle for complete assembly.)
12R	RK-1707-6	1	Right-Hand Release Handle S/A (Part No. (11) must be installed on handle for complete assembly.)
13	XA-1705	1	Cam Plate
14	XA-1029	1	Roller

ITEM	PART NO.	NO. req'd.	PART NAME
15	XB-2083	1	Bolt 1/2"-20 x 1-3/4"
16	XB-T-69-A	1	Locknut 1/2"-20
17	XB-1030-1	2	Washer
18	XA-1507	1	Roller
19	XB-CX-58-F-134	1	Bolt 5/8"-18 x 1-3/4"
20L	XA-3542-L	1	Secondary Lock, Left-Hand
20R	XA-3542-R	1	Secondary Lock, Right-Hand
21	XB-2149	1	Torsion Spring
22	XB-21-S-500-2750	1	Roll Pin
23	XA-3514**	1	Lock Guard
24	XB-1044**	1	Torsion Spring
25	XA-1055	1	Pin
26	XB-16	2	Cotter Pin 1/8" x 1"
27	XB-H-38	2	Grease Fitting
28	XA-3542-M	1	Manual Secondary Lock Handle
29	XA-3528	1	Manual Secondary Lock
30	XA-2016	2	Bracket Pin
31	XB-21-S-375-1750	2	Roll Pin
32	XB-0011-2	2	Rubber Bushing

* Not available individually; order RK-63503

** Not available individually; order RK-05329

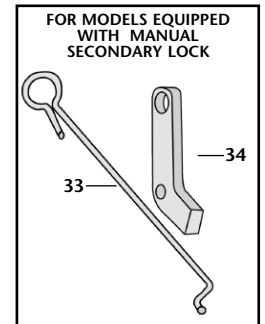
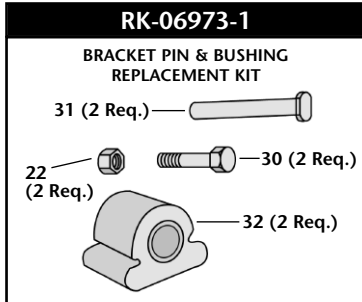
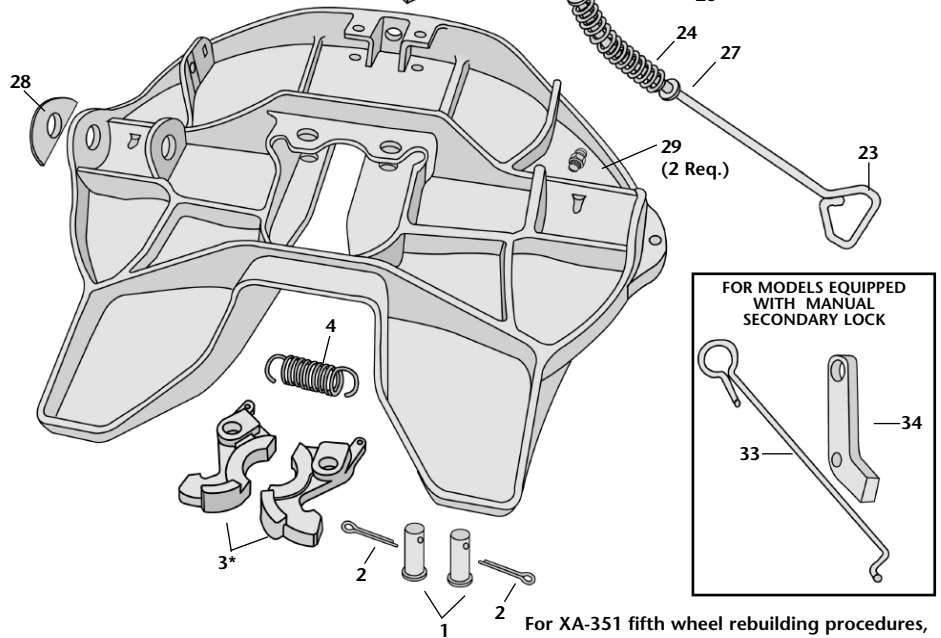
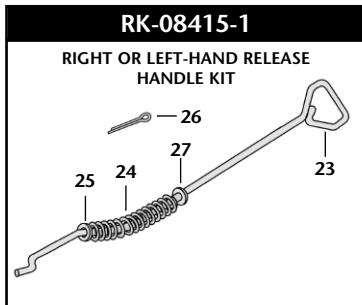
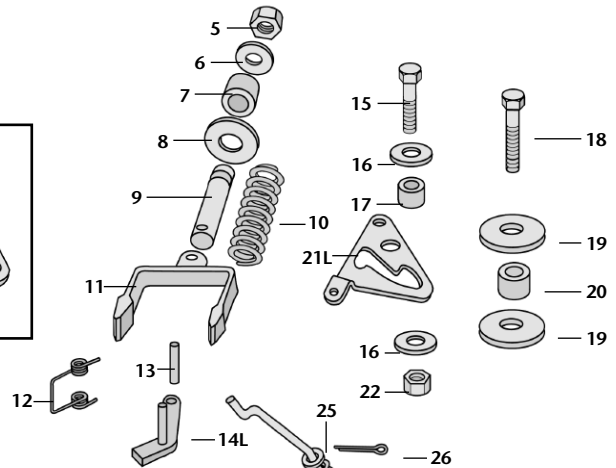
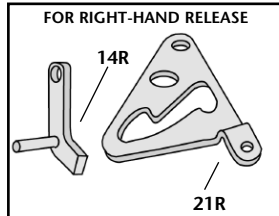
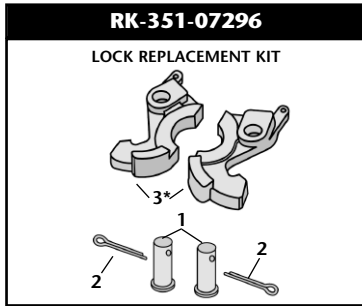
FIFTH WHEEL FW35 SERIES PARTS EXPLOSION - Yokeshaft in front, With "ears"



XA-351 Rebuild Kit

RK-351-A: Right-hand Release

RK-351-A-L: Left-hand Release



For XA-351 fifth wheel rebuilding procedures, see Holland publication XL-FW290

XA-351 SERIES PARTS LIST

ITEM	PART NO.	NO. REQ'D.	PART NAME
1	XA-07292-T	2	Lock Pin
2	XB-5	2	Cotter Pin (1/4" x 2")
3	XA-07296*	1	Lock Jaw Set
4	XB-07628	1	Extension Spring
5	XB-HNH-34-F	1	Locknut (3/4"-16)
6	XB-PW-1316-112	1	Washer (11/2" O.D. x 13/16" I.D.)
7	XB-1127	1	Rubber Washer
8	XB-02312	1	Lock Adjustment Tag
9	XA-1706	1	Yoke Shaft
10	XB-1505	1	Compression Spring
11	XA-07295	1	Yoke
12	XB-2149	1	Torsion Spring
13	XB-21-S-500-2750	1	Roll Pin (1/2" x 23/4")
14L	XA-3542-L	1	Secondary Lock (left-hand)
14R	XA-3542-R	1	Secondary Lock (right-hand)
15	XB-2083	1	Hex Head Cap Screw (1/2"-20 x 1-3/4")
16	XB-08559	2	Washer (13/4" O.D. x 9/16" I.D.)
17	XA-1029	1	Roller (1/2" I.D.)
18	XB-CX-58-F-134	1	Hex Head Cap Screw (5/8"-18 x 1-3/4")

ITEM	PART NO.	NO. REQ'D.	PART NAME
19	XB-07431	2	Washer (2-5/8" x 21/32")
20	XA-1507	1	Roller (5/8" I.D.)
21L	XA-07150-L	1	Cam Plate (left-hand)
21R	XA-07150-R	1	Cam Plate (right-hand)
22	XB-T-69-A	1	Locknut (1/2"-20)
23	XA-07151-1	1	Release Handle (universal for both left and right)
24	XB-07291	1	Compression Spring
25	XB-PW-1732-1-116	1	Washer (11/16" O.D. x 1/2" I.D.)
26	XB-07508	1	Cotter Pin (1/8" x 1-1/4")
27	XB-T-49	1	Washer (1-3/8" O.D. x 9/16" I.D.)
28	XB-07610	1	Operation Tag
29	XB-H-38	2	Grease Zerk
30	XB-C-95	2	Hex Head Cap Screw (1/2"-20 x 1-1/4")
31	XE-06356	2	Bracket Pin
32	XB-0011-2	2	Rubber Bushing
33	XA-3542-M	1	Manual Second. Lock Release Handle
34	XA-3528	1	Manual Secondary Lock

* Not available individually; order RK-351-07296

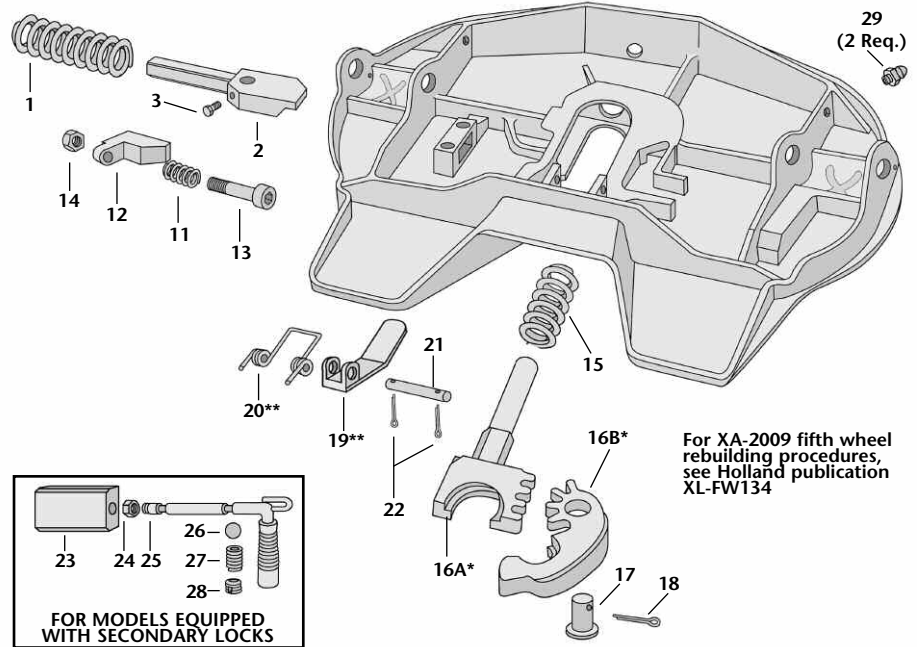
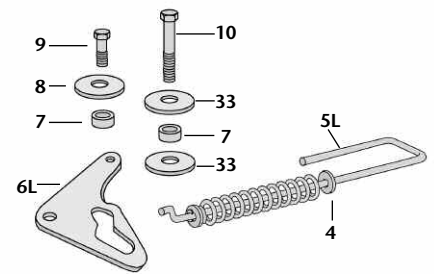
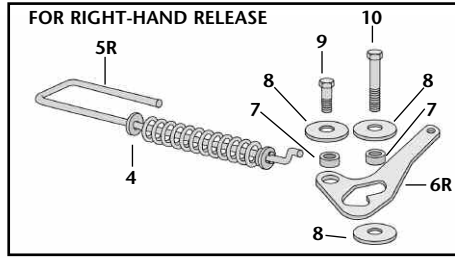
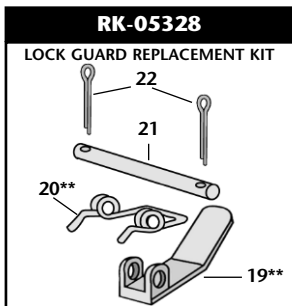
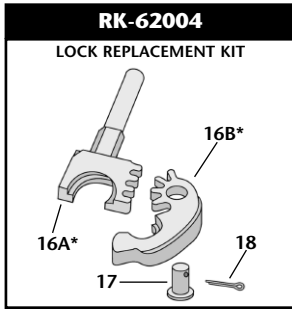
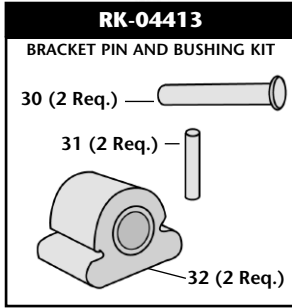
FW2000 SERIES PARTS EXPLOSION - No yokeshaft in front, No "ears"



XA-2009 Rebuild Kit

RK-62000: Right-hand Release

RK-62001: Left-hand Release



For XA-2009 fifth wheel rebuilding procedures, see Holland publication XL-FW134

XA-2009 PARTS LIST

ITEM	PART NO.	NO. REQ'D.	PART NAME
1	XB-1007 (Red)	1	Compression Spring 1-5/8" O.D. x 5"
2	XA-1119	1	Plunger
3	XB-15	1	Set Screw 3/8"-16 x 3/4"
4	XB-T-49	1	Plain Washer 1/2"
5L	RK-1117-1-L	1	Left-Hand Release Handle (Item No. (4) must be installed on handle to complete assembly)
5R	RK-1117-1	1	Right-Hand Release Handle (Item No. (4) must be installed on handle to complete assembly)
6L	XA-1118-2-L	1	Left-Hand Cam Plate
6R	XA-1118-1	1	Right-Hand Cam Plate
7	XA-1029	2	Roller
8	XB-1030	3	Washer (right-hand only) 1/2" I.D. x 2-1/4" O.D.
9	XB-2083	1	Hex Head Screw 1/2"-20 x 1-3/4" with Locking Patch
10	XB-1031	1	1/2"-20 x 2" Hex Head Cap Screw
11	XB-403	1	Spring
12	XD-3123-1	1	Lock Adjusting Wedge
13	XB-2001	1	5/8"-11 x 3-3/4" Socket Head Screw
14	XB-HNH-58-C	1	5/8"-11 Locknut

ITEM	PART NO.	NO. REQ'D.	PART NAME
15	XB-1006 (Green)	1	Compression Spring 1-1/4" O.D. x 5"
16A&B	XA-1102*	1	Lock Set
17	XA-1016	1	Hinged Lock Pin
18	XB-5	1	Cotter Pin 1/4" x 2"
19	XA-1621**	1	Lock Guard
20	XB-1044**	1	Torsion Spring
21	XA-1055	1	Pin
22	XB-16	2	Cotter Pin 1/8" x 1"
23	XA-1668	1	Safety Lock Block
24	XB-NRJ-34-F	1	Jam Nut
25	XA-1674	1	Safety Release Arm
26	XB-V-919	1	1/2" Diameter Steel Ball
27	XB-V-932	1	Compression Spring
28	XB-V-1025	1	Set Screw 5/8"-18
29	XB-H-38	2	Grease Fitting
30	XA-2016	2	Bracket Pin
31	XB-21-S-375-1750	2	Roll Pin
32	XB-0011-2	2	Rubber Bushing
33	XB-02846	2	Washer (left-hand only) 1/2" I.D. x 2-5/8" O.D.

* Not available individually; order RK-62004

** Not available individually; order RK-05328

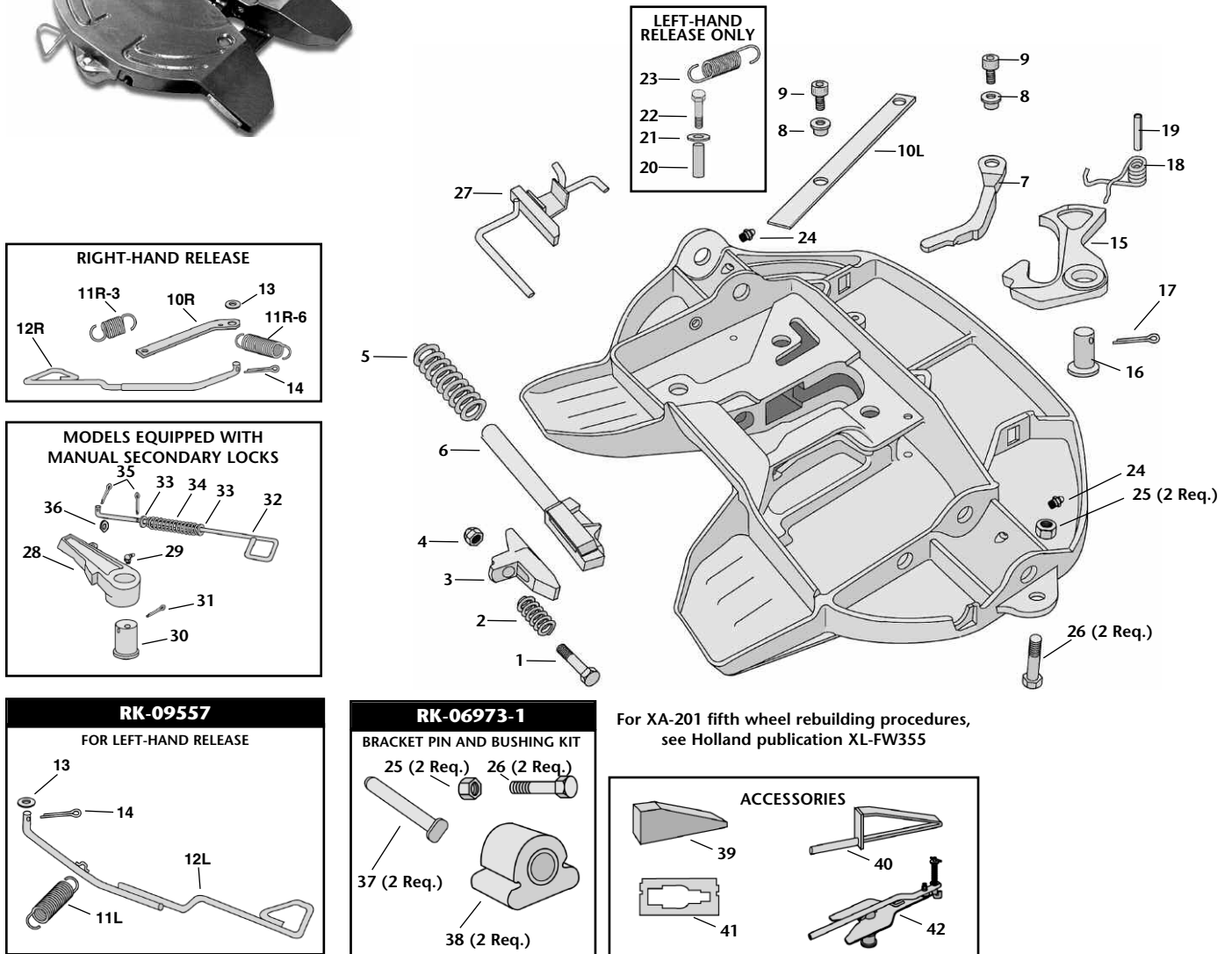
FW8 SERIES PARTS EXPLOSION - FLEETMASTER - No yokeshaft in front, With "ears"



XA-201 Rebuild Kit

RK-201-A3: Right-hand Release

RK-201-A3-L: Left-hand Release



For XA-201 fifth wheel rebuilding procedures, see Holland publication XL-FW355

XA-201 PARTS LIST

ITEM	PART NO.	NO. req'd.	PART NAME
1	XB-06329-1	1	Hex Head Cap Screw 5/8"-11 x 4-1/4"
2	XB-09495	1	Spring
3	XD-06328	1	Adjusting Wedge
4	XB-06179-2	1	Locknut 5/8"-11
5	XB-06330	1	Plunger Spring
6	XA-09417-1	1	Locking Plunger
7	XE-09415	1	Cam Arm
8	XA-08162	2	Roller
9	XB-08558	2	SHCS 1/2"-13 x 3/4"
10R	XA-09580	1	Right-Hand Release Arm
10L	XA-09514	1	Left-Hand Release Arm
11R-3	XB-09629	1	Extension Spring
11R-6	XB-09581	1	Extension Spring
11L	XB-09408**	1	Extension Spring
12R	XA-09632	1	Right-Hand Release Handle
12L	XA-09484**	1	Left-Hand Release Handle
13	XB-T-199	1	5/8" Washer
14	XB-06336	1	Cotter Pin .19" x 1-1/4"
15	XA-09416*	1	Hinged Lock
16	XA-06344	1	Lock Pin
17	XB-5	1	Cotter Pin 1/4" x 2"
18	XB-08764	1	Lock Return Spring
19	XB-21-S-500-2750	1	Roll Pin

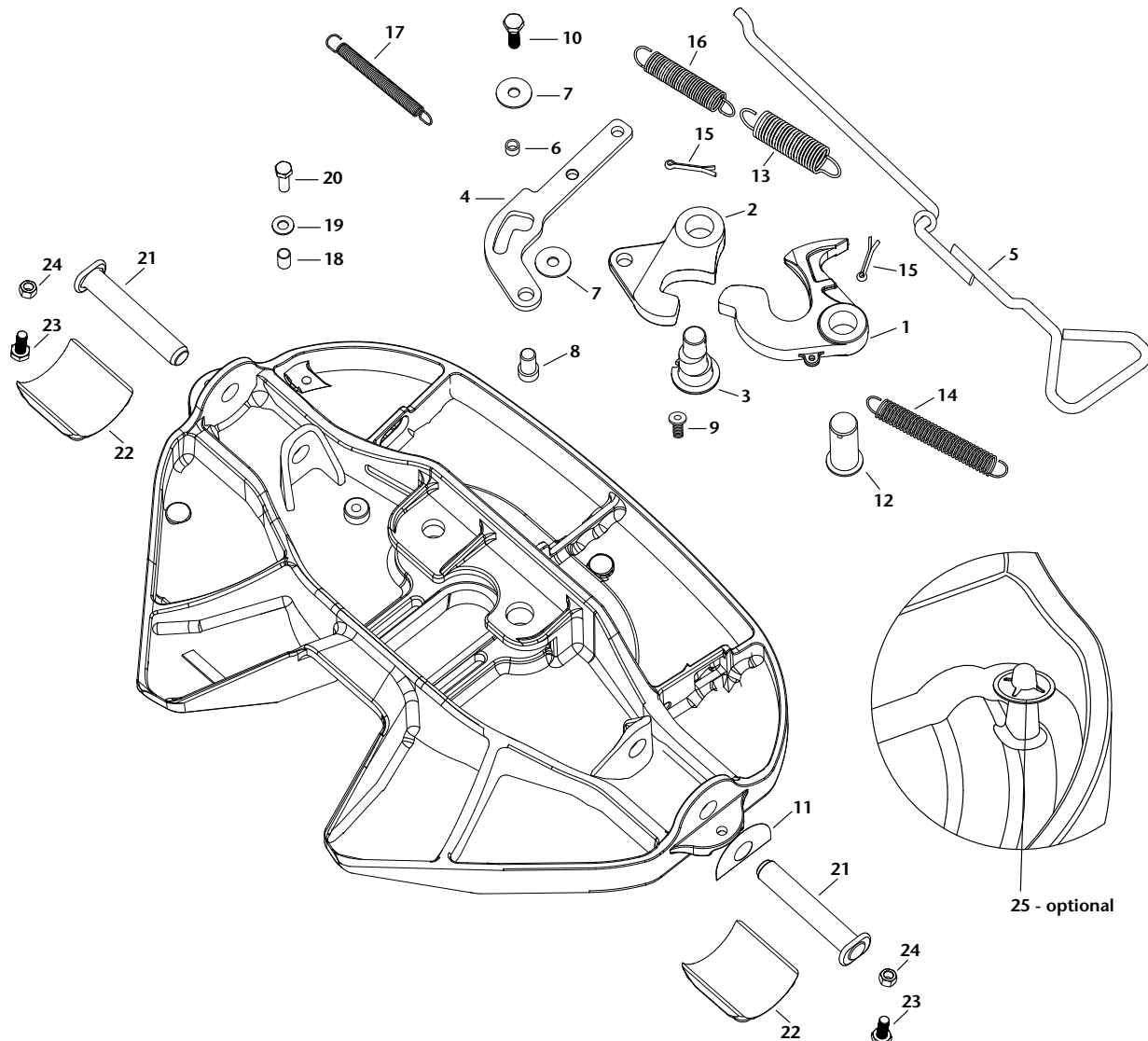
ITEM	PART NO.	NO. req'd.	PART NAME
20	XA-09558	1	Spacer
21	XB-1108	1	Washer
22	XB-C-38-C-214	1	HHCS, 3/8" x 2-1/4"
23	XB-09517-1	1	Extension Spring
24	XB-H-38	2	Grease Fitting
25	XB-T-69-A	2	Locknut, 1/2"-20
26	XB-C-95	2	Hex Head Cap Screw 1/2"-20 x 1-1/4"
27	XA-09590	1	Wedge Stop Block
28	XA-06349	1	Manual Secondary Lock Arm
29	XB-767-C	1	45° Grease Fitting
30	XA-1016-C	1	Secondary Lock Pin
31	XB-5	1	Cotter Pin 1/4" x 2" (Same as #17)
32	XA-06345	1	Secondary Lock Release Handle
33	XB-1204	2	7/16" Washer
34	XB-1028-1	1	Spring
35	XB-06337	2	Cotter Pin 1/8" x 1"
36	XB-PWC-38-78	1	Washer, 3/8" Clipped
37	XE-06356	2	Bracket Pin
38	XB-0011-2	2	Rubber Bushing
39	TF-TLN-08284	1	Helper Block (Wood)
40	TF-TLN-4000	1	Helper Block (Steel)
41	TF-TLN-0110	1	Kingpin Gage
42	TF-TLN-5001	1	2" Lock Adjustment Tool

* Not available individually; order RK-201-A3-L or RK-201-A3

** Not available individually; order RK-09557

Not available individually; order RK-09556

FW17 SERIES PARTS EXPLOSION



XA-171 PARTS LIST

ITEM	PART NO.	NO. req'd.	PART NAME
1	XA-10486	1	Lock
2	XA-10487	1	Hook
3	XA-10364-3	1	Adjusting Pin
4	XA-10483	1	Release Cam
5	XA-10495	1	Release Handle
6	XA-10810-1	1	Cam Spacer
7	XB-10294	2	Washer, 1/2" Stainless Steel
8	XA-10485-1	1	Hook Pin
9	XB-02724-1	1	LHSCS, 3/8-16 x 3/4" LG
10	XB-2083	1	HHCS, 1/2-20 x 1-3/4" LG
11	XB-10424	1	Name Tag
12	XA-06344	1	Lock Pin
13	XB-10490	1	Extension Spring (Handle, Outer)
14	XB-05843-1	1	Extension Spring (Lock)
15	XB-5	2	Cotter Pin
16	XB-10489	1	Extension Spring (Handle, Inner)
17	XB-10563	1	Extension Spring (Release Cam)
18	XA-09558-1	1	Spacer
19	XB-PW-1732-1-116	1	Washer, Plain 1/2"
20	XB-E-541	1	HHCS, 1/2-20 x 1-1/2" LG
*21	XE-06356	2	Bracket Pin
*22	XD-08908	2	Pocket Insert
*23	XB-C-95	2	HHCS, 1/2-20 x 1-3/4" LG
*24	XB-T-69-A	2	1/2-20 Lock Nut
25	XB-10614	1	Retainer, Push 3/8" Dia.

* Not included in Rebuild Kit

If pocket inserts are needed, order part number RK-PKT-2

FIFTH WHEEL PARTS LIST

This page intentionally left blank

EXPLANATION OF PART NUMBER SEQUENCE

1. Most part numbers have been assigned a prefix "XA" or "XB".
2. Listing is alpha-numeric, following the prefix.
3. Parts are listed in the following sequence:
 - A. Prefix
 - B. Alpha (letter)
 - C. Numeric (number) - sequence is left to right.

Examples:

- A. XA part numbers precede XB part numbers.
- B. XA-A part numbers precede XA-B part numbers.
- C. XA-A-1 part numbers precede XA-A-2 part numbers.

- D. XA-1 part numbers precede XA-2 part numbers.
- E. Old part number "5" is now found after part number
XB-4606 - in the following sequence:
XB-4606
XB-5
XB-635-A

REBUILDING AND PARTS KITS

PART NUMBER	DESCRIPTION
RK-01370	Komp. lockout kit - both sides
RK-03156	Release lever kit
RK-03185-1	Kit for XA-2801-03815 & -1
RK-03618	Liner brkt. kit - XA-3501-UB
RK-03809	Cushion & riser kit
RK-03810	Cushion & riser kit
RK-04077	Drop handle kit for XA-3501-A-28-LH
RK-04413	Cushion & pin kit for old style FW2000/FW3500
RK-04489	Hyd. cylinder rep. kit (XA-2810-1 piston w/1 groove)
RK-05327	Lock guard kit, FW1226
RK-05328	Lock guard kit, XA-2009
RK-05329	Lock guard kit, XA-3501
RK-05466	Lock kit - XA-3501-S05154
RK-06122	No-tilt conv. kit - 7.88"
RK-06123	No-tilt conv. kit - 8.88"
RK-06356	Mounting kit - includes bracket pins, bolts, & nuts
RK-06535	Air line kit
RK-06559	Air release kit for air release kingpins
RK-06973-1	Cushion & pin kit, FW8, FW35, FW33 (New style)
RK-07370	Air release kit
RK-0778	Lockout kit retrofit (FW2080)
RK-07814	Air release kit - includes RK-06559 & RK-09649
RK-08415-1	Handle kit - field replacement
RK-09063	Repair kit for XA-351-03505
RK-09429	LH handle kit for XA-201-A-L (Gen. II Series only)
RK-09555	RH handle kit for XA-201-A (Gen. II Series only)
RK-09556	RH handle kit for XA-201-A (Gen. III Series only)
RK-09557	LH handle kit for XA-201-A-L (Gen. III Series only)
RK-09922-L	Sensor harness and brackets (left hand release)
RK-09922	Sensor harness and brackets (right hand release)
RK-10073	ELI retrofit kit without top plate (XA-351, XA-331)
RK-10073-U	ELI yard spotter retrofit kit without top plate
RK-10076	ELI date download kit
RK-10130	Sensor harness and brackets (yard spotter)
RK-1117-1	Release handle kit (XA-2009-A)
RK-1117-1-L	Release handle kit (XA-2009-A-LH)
RK-1117-6-L	Release handle kit (XA-2009-A-UP-LH)
RK-1118-2-L	Rebuild kit - LH cam (XA-2009-A-LH)
RK-1707-1	RH handle kit (XA-1501-BA)
RK-1707-10	Release handle kit (XA-581-AU1)
RK-1707-2	Release handle kit (XA-1901-A)
RK-1707-5	Release handle kit (XA-1501-CA1)
RK-1707-6	Handle kit (XA-3501-A) (RH)
RK-1707-M	Handle kit (XA-3501-A) (LH)
RK-201-A3	Service kit XA-201-A) RH release
RK-201-A3-02	Service kit (XA-201-A-02) RH release w/manual sec.
RK-201-A3-02-L	Service kit (XA-201-A-02-L) LH rel. w/manual sec.
RK-201-A3-14-L	Service kit (XA-201-A-02) RH rel. w/lube fittings
RK-201-A3-L	Service kit (XA-201-A-L) LH release
RK-2500-10	Air slide hose kit
RK-2500-10A	Air slide hose kit with valve
RK-2774	Rod bearing kit (hydraulic cylinder)
RK-2800-11-G	Gear pump & hyd. control valve - single cyl.
RK-2800-20-G	Hose & fitting for single cyl. models
RK-2800-30-G	Hose & fitting for twin cyl. models
RK-2800-41-G	Hyd. gear pump, cont. valve, flange kit for twin cyl.
RK-2800-50	Air operated lift control for all models
RK-2922	Hydraulic cyl. repair kit
RK-331-1	LowLube plates kit
RK-331-2	Pocket inserts kit
RK-331-3	Plates and pocket insert kit

PART NUMBER	DESCRIPTION
RK-351-03505	Rebuild kit (XA-351-03505 & XA-351-03505-2)
RK-351-03505-3	Rebuild kit (XA-351-03505-3)
RK-351-03505-4	Rebuild kit (XA-351-03505-S)
RK-351-06-1	No-Tilt con. kit for FW35-7811 Series
RK-351-06-2	No-Tilt con. kit for FW35-7812 Series
RK-351-07296	Lock kit (XA-351 Series)
RK-351-08332-1	Lock kit (XA-351-03505)
RK-351-09967	Handle kit (XA-351-A-28-L)
RK-351-A	Rebuild kit - XA-351-A - RH release
RK-351-A-02	Rebuild kit - XA-351-A-02 manual secondary (RH)
RK-351-A-02-L	Rebuild kit - XA-351-A-02-L manual secondary (LH)
RK-351-A-80-L	Rebuild kit - XA-351-A-80-L
RK-351-A-L	Rebuild kit - XA-351-A-L - LH release
RK-351-UB	Rebuild kit - XA-351-UB (used on FW67-16B)
RK-6003	Release handle kit (XA-6001-A)
RK-62000	Rebuild kit - XA-2009-A
RK-62000-1	Rebuild - XA-2009-A w/RK-04413
RK-62001	Rebuild kit - XA-2009-A-LH
RK-62001-1	Rebuild kit - XA-2009-A-LH with RK-04413
RK-62002	Rebuild kit - XA-2009-A-UP
RK-62002-1	Rebuild Kit - XA-2009-A-UP with RK-04413
RK-62004	Lock kit - XA-2009-A
RK-62005	Rebuild kit - FW1226-UP w/LH release
RK-62005-1	Rebuild kit - FW1226-0087 w/RH release
RK-62008	Rebuild kit - FW1226
RK-62011	Rebuild kit - XA-2009-01633
RK-62012	Rebuild kit - XA-2009-01633-1
RK-63500	Rebuild kit - XA-3501-A
RK-63500-1	Reb. kit - XA-3501-A w/ RK-04413
RK-63501	Rebuild kit - XA-3501-A-LH
RK-63501-1	Reb. kit - XA-3501-A-LH with RK-04413
RK-63502	Rebuild kit - XA-3501-UB for air lift wheels FW6700
RK-63503	Lock kit - XA-3501-A, XA-1501-BA
RK-63504	Lock kit - XA-3501-UB
RK-63505	Rebuild kit - XA-3501-A-SM
RK-63506	Rebuild kit - XA-3501-A-LH-SM
RK-63507	Rebuild kit - FW1900
RK-63508	Rebuild kit - XA-3501-01244
RK-63509	Rebuild kit - XA-351-01244-1
RK-63510	Rebuild kit - XA-3501-1244-2
RK-63512	Rebuild kit - XA-6001-A
RK-63513	Rebuild kit - XA-6201-A
RK-63518	Kit for XA-3501-03505 for yd.sprr. FW3500-03344
RK-65000	Reb. kit - XA-1501-BA, XA-1581-A1
RK-65005	Rebuild kit - XA-1501-CA1
RK-65006	Rebuild kit XA-1581-AU1
RK-65010	Slider spring conversion kit
RK-65012	Rebuild kit - XA-101-DA
RK-65013	Rebuild kit - XA-101-OA
RK-65014	Rebuild kit - XA-71-DA
RK-65014-1	Rebuild kit - XA-71-DA-03705
RK-65015	Rebuild kit - XA-71-OA
RK-65015-1	Rebuild kit - XA-71-OA-0713
RK-65021	Rebuild kit - XA-2801-AX-1
RK-65021-1	Rebuild kit - XA-2801-S0848
RK-65022	Rebuild kit - XA-71-DUA
RK-65024	Lock kit, 2" - XA-71-DA, XA-101-DA
RK-65024-1	Lock kit, 3.5" - XA-71-OA, XA-101-OA
RK-65025	Secondary lock kit - XA-71, XA-101, XA-2801 Series
RK-6811	Air lift fitting kit
RK-6813	Air tank & tank bracket kit

SLIDE PLATES

Slide Plates without Mounting Angles

Standard Capacity

For FW8 FleetMaster Series, FW35 Series, or FW33 LowLube Series Fifth Wheels

Over-the-Frame Mount

MODEL	PLATE LENGTH	6.62" TRAVEL	7.62" and 8.62" TRAVEL	10.1" TRAVEL	APPROX. WEIGHT
XA-0750-1-11	32.8"	N.A.	12.2"	N.A.	83 lbs.
XA-0751-1	38.9"	10.7"	18.4"	13.9"	103 lbs.
XA-0751-2	45.0"	16.8"	24.5"	19.9"	118 lbs.
XA-0751-3	57.2"	N.A.	36.7"	32.1"	149 lbs.
XA-0751-3A	52.6"	24.5"	N.A.	N.A.	138 lbs.
XA-0751-4	69.5"	41.3"	48.9"	44.4"	169 lbs.
XA-0751-5	82.0"	53.6"	61.2"	56.6"	229 lbs.
XA-0751-6	94.0"	65.8"	73.4"	68.8"	283 lbs.

All solid slide plates (XA-0750-1 through -7) are available on special order – no additional up charge.

Slide Plates with Attached Mounting Angles

Standard Capacity

For FW8 FleetMaster Series, FW35 Series, or FW33 LowLube Series Fifth Wheels

Over-the-Frame Mount

MODEL	PLATE LENGTH	7.00" TRAVEL	8.00" and 9.00" TRAVEL	10.4" TRAVEL	APPROX. WEIGHT
XA-0752-G1-11	32.8"	N.A.	12.2"	N.A.	137 lbs.
XA-0753-G1	38.9"	10.7"	18.4"	13.9"	179 lbs.
XA-0753-G2	45.0"	16.8"	24.5"	19.9"	198 lbs.
XA-0753-G3	57.2"	N.A.	36.7"	32.1"	249 lbs.
XA-0753-G3A	52.6"	24.5"	N.A.	N.A.	231 lbs.
XA-0753-G4	69.5"	41.3"	48.9"	44.4"	290 lbs.
XA-0753-G5	82.0"	53.6"	61.2"	56.6"	370 lbs.
XA-0753-G6	94.0"	65.8"	73.4"	68.8"	445 lbs.

NOTE: For frame width other than 34", replace "G" with appropriate letter – call Holland Customer Service 1-888-396-6501 for details.

Slide Plates

Standard Capacity

For FW8 FleetMaster Series, FW35 Series, or FW33 LowLube Series Fifth Wheels

Outboard Angle Mount

MODEL	MOUNTING PLATE LENGTH	6.62" and 8.12" TRAVEL	7.62" and 8.62" TRAVEL	10.1" TRAVEL	APPROX. WEIGHT
XA-07871-1	34.2"	N.A.	12.2"	N.A.	107 lbs.
XA-07871-2	42.2"	N.A.	18.4"	N.A.	121 lbs.
XA-07871-3	46.2"	N.A.	24.5"	N.A.	152 lbs.
XA-07871-4	58.2"	N.A.	36.7"	N.A.	185 lbs.
XA-07871-5	70.2"	N.A.	48.9"	N.A.	225 lbs.
XA-07871-1L	42.2"	10.7"	N.A.	13.9"	136 lbs.
XA-07871-2L	50.2"	16.8"	N.A.	19.9"	156 lbs.
XA-07871-3L	55.2"	24.5"	N.A.	32.1"	184 lbs.
XA-07871-4L	74.2"	41.3"	N.A.	44.4"	237 lbs.
XA-0758-5*	86.2"	52.0"	61.2"	56.6"	340 lbs.
XA-0758-6*	98.2"	64.3"	73.4"	68.8"	410 lbs.

NOTE: * Slide plates will yield F.W. height 3/8" taller. All slide plate numbers listed above are Weight Savers.

SLIDE PLATES *continued*

Extra Capacity

For FW2555 Series Fifth Wheel

Outboard Angle Mount

MODEL	MOUNTING PLATE LENGTH	TRAVEL	APPROX. WEIGHT
XA-0758-2	50.2"	16.8"	185 lbs.
XA-0758-3A	58.2"	24.5"	215 lbs.
XA-0758-4	74.2"	41.3"	265 lbs.
XA-0758-5	86.2"	52.0"	340 lbs.
XA-0758-6	98.2"	64.3"	410 lbs.

For FW2570 Series Fifth Wheels

Over-the-Frame Mount

MODEL	PLATE LENGTH	TRAVEL	NOMINAL F.W. HEIGHT	APPROX. WEIGHT
Slide Plate without Mounting Angles				
XA-0284-1	38.9"	10.7"	8.00" or 9.00"	223 lbs.
XA-0284-2	45.0"	16.8"	8.00" or 9.00"	245 lbs.
XA-0284-3A	52.6"	24.5"	8.00" or 9.00"	300 lbs.
XA-0284-4	69.5"	41.3"	8.00" or 9.00"	375 lbs.
XA-0284-5	82.0"	53.6"	8.00" or 9.00"	442 lbs.
XA-0284-6	94.0"	64.3"	8.00" or 9.00"	515 lbs.

Slide Plate with .5" x 4" x 4" Angles

XA-02136-G1*	38.9"	10.7"	8.50" or 9.50"	313 lbs.
XA-02136-G2*	45.0"	16.8"	8.50" or 9.50"	347 lbs.
XA-02136-G3A*	52.6"	24.5"	8.50" or 9.50"	419 lbs.
XA-02136-G4*	69.5"	41.3"	8.50" or 9.50"	531 lbs.
XA-02136-G5*	82.0"	53.6"	8.50" or 9.50"	623 lbs.
XA-02136-G6*	94.0"	64.3"	8.50" or 9.50"	722 lbs.

* For frame width other than 34", replace "G" with appropriate letter – call Holland Customer Service 1-888-396-6501 for details..

Slide Brackets

Standard Capacity

For FW8 FleetMaster Series, FW35 Series, or FW33 LowLube Series Fifth Wheels

Slide Bracket - Air and Manual

AIR MODEL	MANUAL MODEL	NOMINAL F.W. HEIGHT	APPROX. WEIGHT
XA-7001	XA-7011	8.62"	115 lbs.
XA-7002	XA-7012	7.62"	110 lbs.
XA-7003	XA-7013	6.62"	123 lbs.
XA-7003-1*		6.62"	118 lbs.
XA-7301	XA-7311	8.12"	130 lbs.
XA-7301-1*		8.12"	127 lbs.
XA-7009	XA-7019	10.12"	158 lbs.

No-Tilt

XA-7401	XA-7411	8.62"	125 lbs.
XA-7409	XA-7419	10.12"	155 lbs.

* FW8 Series only.

For FW2555 Series Fifth Wheels

Slide Bracket - Air and Manual

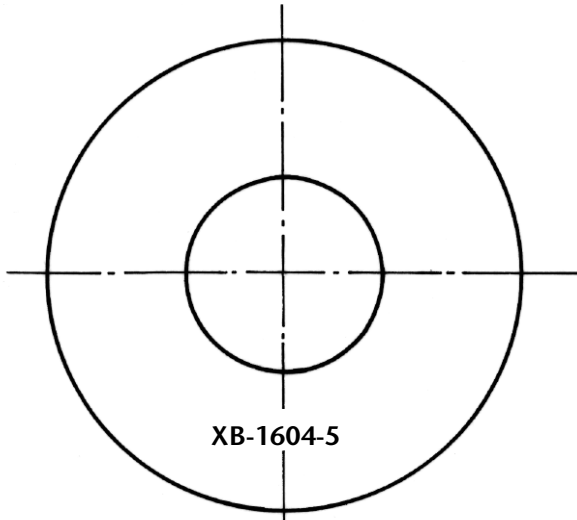
AIR MODEL	MANUAL MODEL	NOMINAL F.W. HEIGHT	APPROX. WEIGHT
XA-7321	XA-7322	8.12"	118 lbs.
XA-7325	XA-7326	9.62"	151 lbs.

For FW2570 Series Fifth Wheels

Slide Bracket - Air and Manual

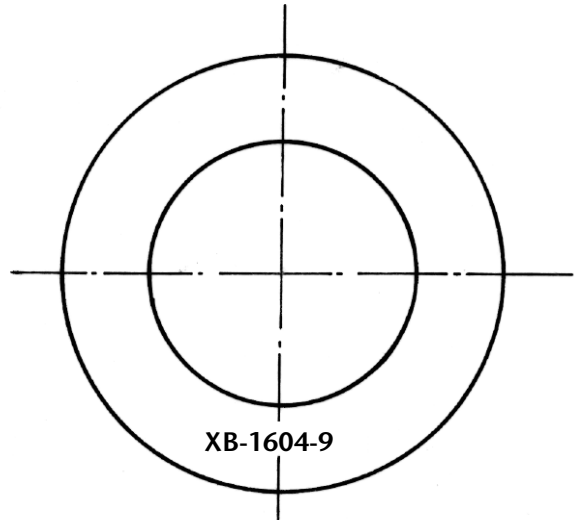
AIR MODEL	MANUAL MODEL	NOMINAL F.W. HEIGHT	APPROX. WEIGHT
XA-7102	XA-7112	9.00"	132 lbs.
XA-7103	XA-7113	8.00"	123 lbs.

RUBBER UPSHOCK CUSHIONS
illustrations shown at 90% of actual size



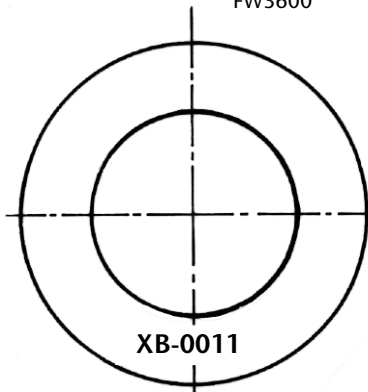
XB-1604-5

FW2000
 FW3500
 FW3600
OLD STYLE
 Mfg. prior to May, 1982



XB-1604-9

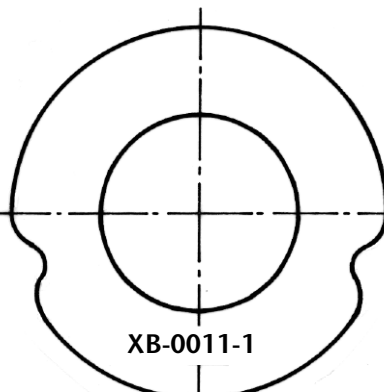
FW0070
OLD STYLE
 Mfg. prior to May, 1982



XB-0011

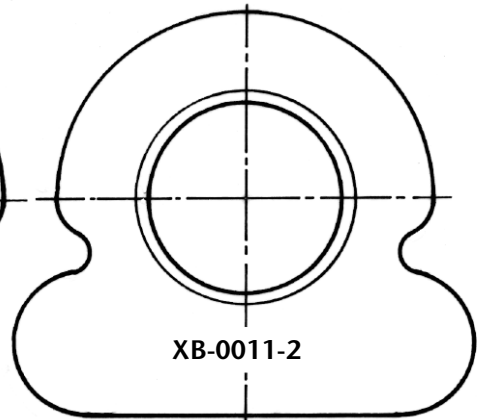
FW2000 KOMPENSATOR
 FW3500 KOMPENSATOR
 FW3600 KOMPENSATOR
 FW3501-UB

CURRENT



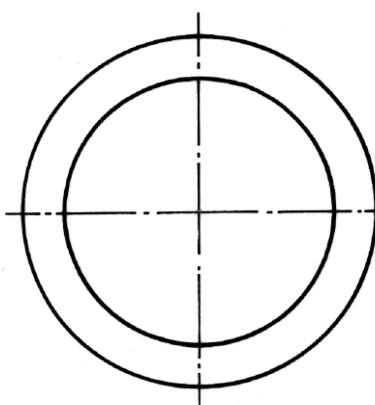
XB-0011-1

FW2000
 FW3500
 FW3600
 Mfg. May, 1982 - June, 1987

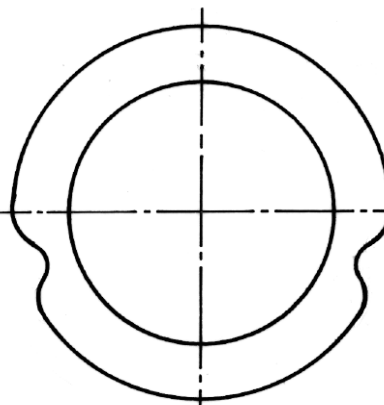


XB-0011-2

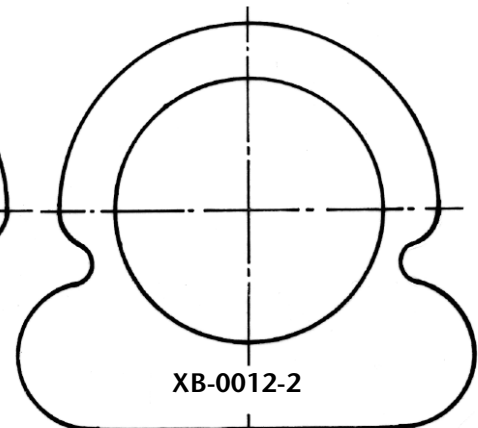
FW2000
 FW3500
 FW3600
CURRENT



FW0070 KOMPENSATOR
CURRENT



FW0070
 Mfg. May, 1982 - Oct. 1987



XB-0012-2

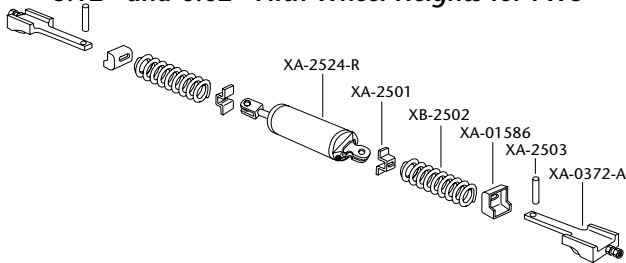
FW0070
 AVAILABLE OCT. 1987

FW8, FW35, FW2500 & FW2535 SERIES SLIDE BRACKET PARTS

Manufactured **AFTER** May 1, 1982

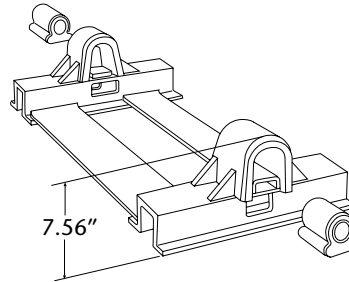
AIR RELEASE

8.62" and 7.62" Fifth Wheel Heights
8.12" and 6.62" Fifth Wheel Heights for FW8



AIR & MANUAL RELEASE

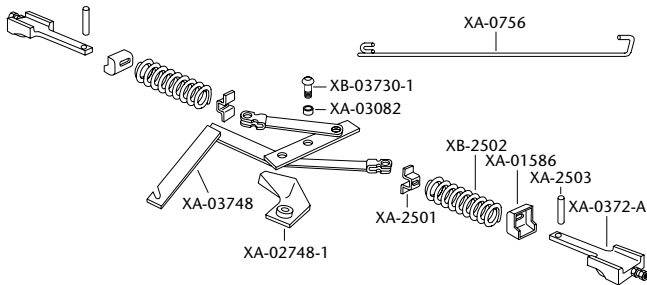
8.62" Fifth Wheel Heights



Brackets are available only as part of complete bracket assemblies – XA-7001 (air) or XA-7011 (manual). Rubber bushings included.

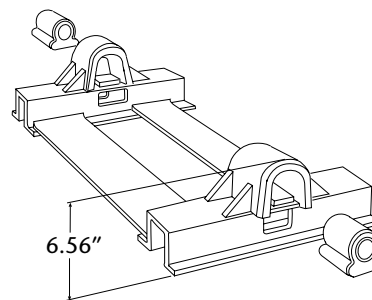
MANUAL RELEASE

All Fifth Wheel Heights



AIR & MANUAL RELEASE

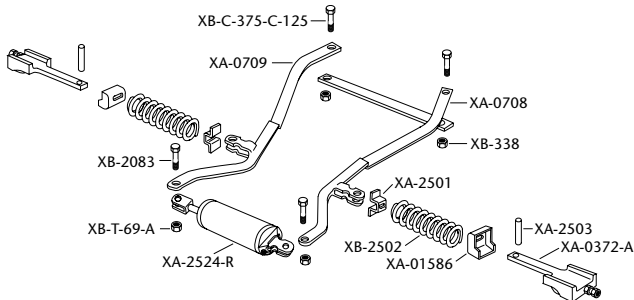
7.62" Fifth Wheel Heights



Brackets are available only as part of complete bracket assemblies – XA-7002 (air) or XA-7012 (manual). Rubber bushings included.

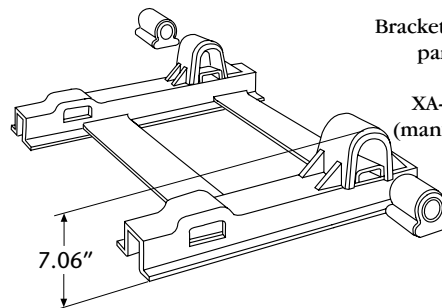
AIR RELEASE

8.12" and 6.62" Fifth Wheel Heights for FW35



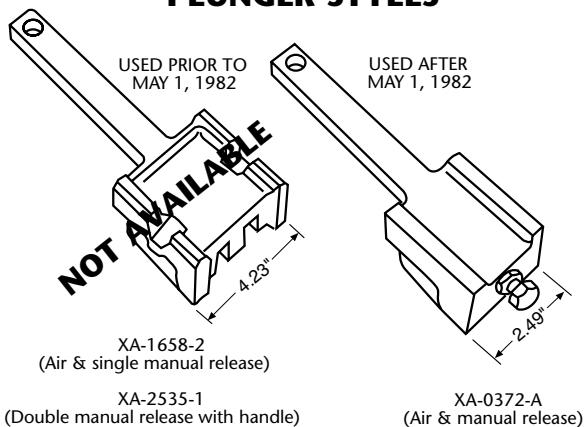
AIR & MANUAL RELEASE

8.12" Fifth Wheel Heights



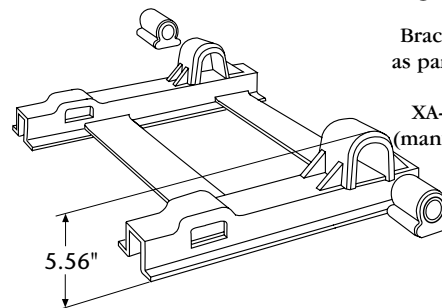
Brackets are available only as part of complete bracket assemblies – XA-7301 (air) or XA-7311 (manual). Rubber bushings included.

PLUNGER STYLES



AIR & MANUAL RELEASE

6.62" Fifth Wheel Heights



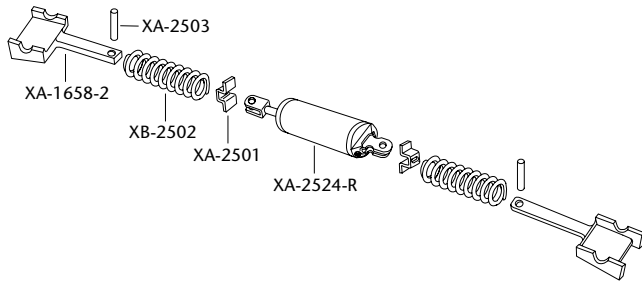
Brackets are available only as part of complete bracket assemblies – XA-7003 (air) or XA-7013 (manual). Rubber bushings included.

FW2500-H, FW2535-H & FW2536-H SERIES SLIDE BRACKET PARTS

Manufactured **PRIOR** May 1, 1982

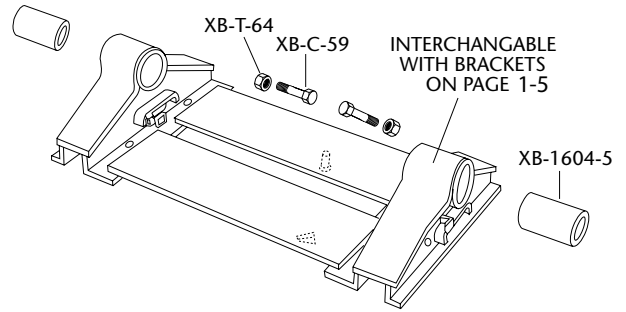
AIR RELEASE

8.69" and 7.69" Fifth Wheel Heights



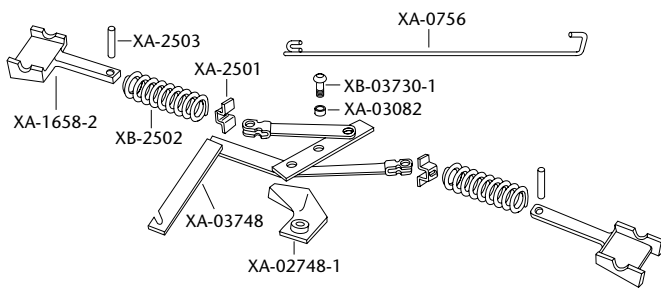
AIR & SINGLE MANUAL RELEASE

8.69" & 7.69" Fifth Wheel Heights



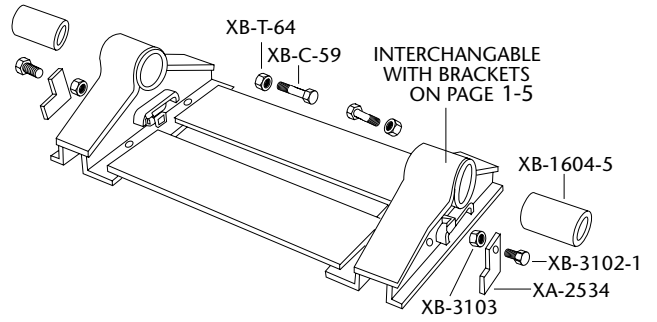
SINGLE MANUAL RELEASE

All Fifth Wheel Heights



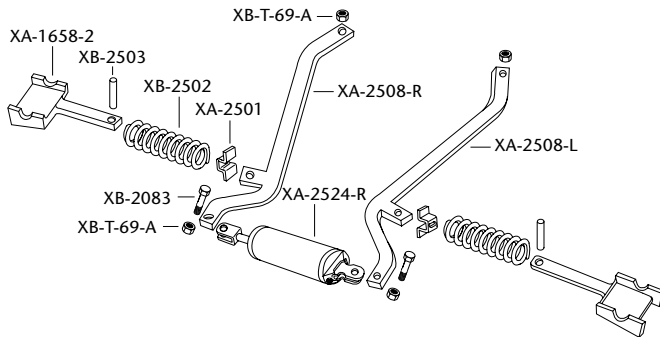
DOUBLE MANUAL RELEASE

8.69" & 7.69" Fifth Wheel Heights



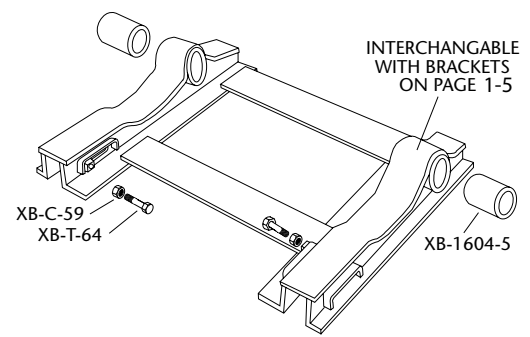
AIR RELEASE

6.75" Fifth Wheel Heights



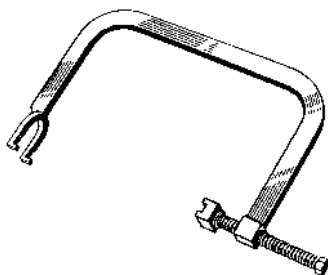
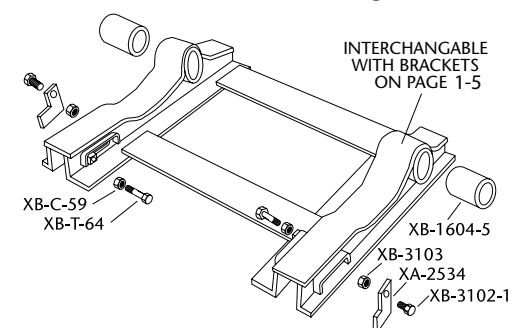
AIR & SINGLE MANUAL RELEASE

6.75" Fifth Wheel Heights



DOUBLE MANUAL RELEASE

6.75" Fifth Wheel Heights



TF-TLN-2500

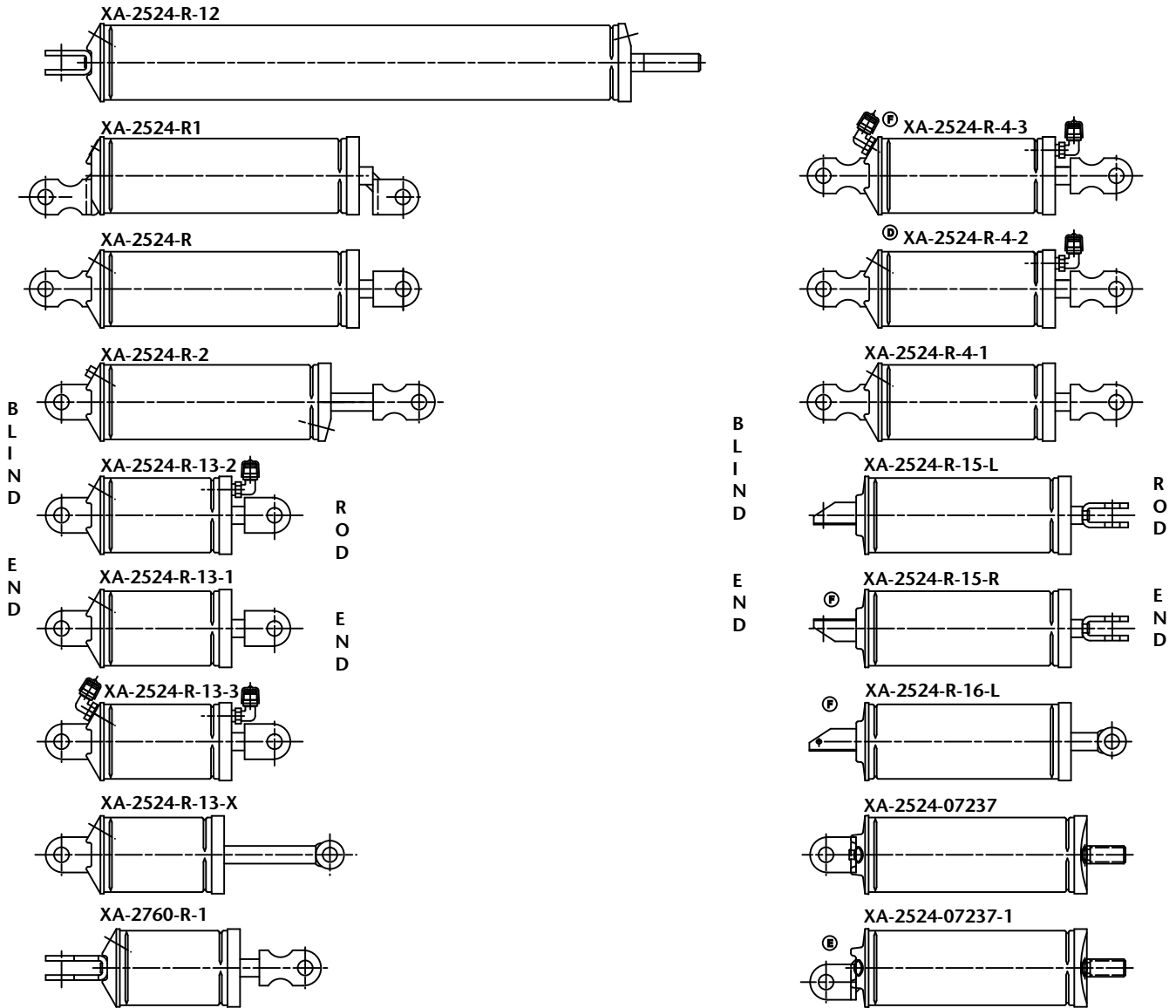
Slider Spring Compressor

Slider Bracket

Maintenance Tool

FIFTH WHEEL AIR CYLINDER ILLUSTRATIONS

Air Cylinders



FIFTH WHEEL AIR CYLINDER PARTS LIST

Air Cylinder Chart

HOLLAND PART NO.	HOLE-TO-HOLE DIM.				STROKE REF	AIR INLET	USED ON
	EXTENDED		RETRACTED				
XA-2524-R-13-2	9.649"	9.464"	7.613"	7.473"	2.02"	Blind End	FW1500, FW3500
XA-2524-R-13-3	9.649"	9.464"	7.613"	7.473"	2.02"	Blind End	FW1500, FW3500
XA-2524-R-12	38.742"	38.556"	22.680"	22.496"	16.06"	Both Ends	TF-675
XA-2524-R	19.650"	19.171"	12.750"	12.506"	6.77"	Blind End	Sliding 5th Wheels
XA-2524-R-2	18.560"	18.171"	12.750"	12.506"	5.74"	Rod End	FW0070, FW0100, & FW2080
XA-2524-R-4-3	14.108"	13.863"	10.452"	10.252"	3.64"	Blind End	XA-2801-03185-4
XA-2524-R-4-2	14.108"	13.863"	10.452"	10.252"	3.64"	Blind End	XA-2801-03185-3
XA-2524-R-4-1	14.108"	13.863"	10.452"	10.252"	3.64"	Blind End	FW1560 Series
XA-2524-R-13-X	11.690"	11.280"	9.570"	9.385"	1.99"	Blind End	FW2800 Series, FW2900
XA-2760-R-1	10.840"	10.361"	8.720"	8.476"	1.99"	Blind End	FW1580
XA-2524-R-13-1	9.649"	9.464"	7.613"	7.473"	2.02"	Blind End	FW1500, FW3500
XA-2524-R-16-L	13.95" REF		9.05" REF		4.89"	Blind End	OPT. CODE 80
XA-2524-R-15-R	13.95" REF		9.05" REF		4.89"	Blind End	XA-3501-06533
XA-2524-R-15-L	13.95" REF		9.05" REF		4.89"	Blind End	XA-3501-06533
XA-2524-07237-1	15.782"	15.598"	10.625"	10.468"	5.13"	Both Ends	FW503 (Obsolete)
XA-2524-07237	15.782"	15.598"	10.625"	10.468"	5.13"	Both Ends	FW503 (Obsolete)
XA-2524-R1	19.650"	19.171"	12.750"	12.506"	6.77"	Blind End	Warranty

**Additional Air
Cylinders may be
available. Contact
Holland Customer
Service for more
information.**

FIFTH WHEEL PARTS LIST

**TO BE COMPLETED
IN FUTURE RELEASES**

Fifth Wheel Components

PRODUCT	TYPE	TOP PLATE	REBUILD KIT	LOCK GUARD	LOCK KIT	HANDLE KIT	BUSHING/ PIN KIT	AIR CYLINDER
FW3500	Stationary	XA-3501-A-LH	RK-63501	RK-05329	RK-63503	RK-1707-M	RK-04413	None
FW2535	Sliding	XA-3501-A-RH	RK-63500	RK-05329	RK-63503	RK-1707-6	RK-04413	XA-2524
FW2000	Stationary	XA-2009-A-LH	RK-62001	RK-05328	RK-62004	RK-1117-1	RK-04413	None
FW2500	Sliding	XA-2009-A-RH	RK-62000	RK-05328	RK-62004	RK-1117-1-L	RK-04413	XA-2524
FW2555	Sliding	XA-71-DAS	RK-65014	-	RK-65024	-	-	-
FW2570	HD Sliding	XA-71-DAS	RK-65014	-	RK-65024	-	-	-
FW35	Stationary	XA-351-A-L	RK-351-A-L	N/A	RK-351-07296	XA-07151-1	RK-06973-1	None
FW35	Sliding	XA-351-A	RK-351-A	N/A	RK-351-07296	XA-07151-1	RK-06973-1	XA-2524
FW35-89xx	No-tilt Stationary	XA-351-A-06-L-P	RK-351-A-L	N/A	-	-	-	-
FW35-7401	No-tilt Sliding	XA-351-A-06-L-P	RK-351-A-L	N/A	-	XA-07151-1	RK-06973-1	XA-2524
FW35-8401	No-tilt Sliding	XA-351-A-06-L-P	RK-351-A-L	N/A	-	XA-07151-1	RK-06973-1	-
FW8	Stationary	XA-201-A3-L	RK-201-A3-L	N/A	N/A	N/A	RK-06973-1	None
FW8	Sliding	XA-201-A3	RK-201-A3	N/A	N/A	N/A	RK-06973-1	XA-2524
FW17	Stationary	XA-17-A-L-P	RK-17-A-L	N/A	-	-	-	None
FW17	Sliding	LH* only	LH* only	N/A	-	-	-	XA-2524
FW6700-16B	Air Elevating	XA-3501-UB	RK-63502	N/A	RK-63504	-	-	-
FW67-16B	Air Elevating	XA-351-UB-P	RK-351-UB	N/A	-	-	-	-
FW35-03344	Yard Spotter	XA-351-03505S	RK-351-03505	N/A	N/A	-	-	XA-2524-R-13-1
FW35-03344-1	Yard Spotter	XA-351-03505S	RK-351-03505	N/A	N/A	-	-	XA-2524-R-13-1
FW2870-03184	Yard Spotter	XA-2801-03185-1		N/A	RK-03185-1	-	-	XA-2524-R-4-1
FW1560	Side Oscillating	XA-1501-CA1S	RK-65005	N/A				
FW0100-D	HD** (2" KP)	XA-101-DAS	RK-65012	N/A	RK-65024			N/A
FW0100-0	HD** (3.5" KP)	XA-101-OAS	RK-65013	N/A	RK-65024-1			N/A
FW0070	HD** (2" KP)	XA-71-DAS	RK-65014	N/A	RK-65024			N/A
FW0070	HD** (3.5" KP)	XA-71-OAS	RK-65015	N/A	RK-65024-1			N/A
FW2800-X	Lift***	XA-2801-AX-1S	RK-65021	N/A	N/A			
FW2900-X	Lift***	XA-2801-AX-1S	RK-65021	N/A	N/A			
FW1580		XA-1581-A-1	RK-65006	-	-	-	-	-
FW2870-03184		XA-2801-03185-1S	-	-	-	-	-	-

* Left Hand.

** Heavy Duty

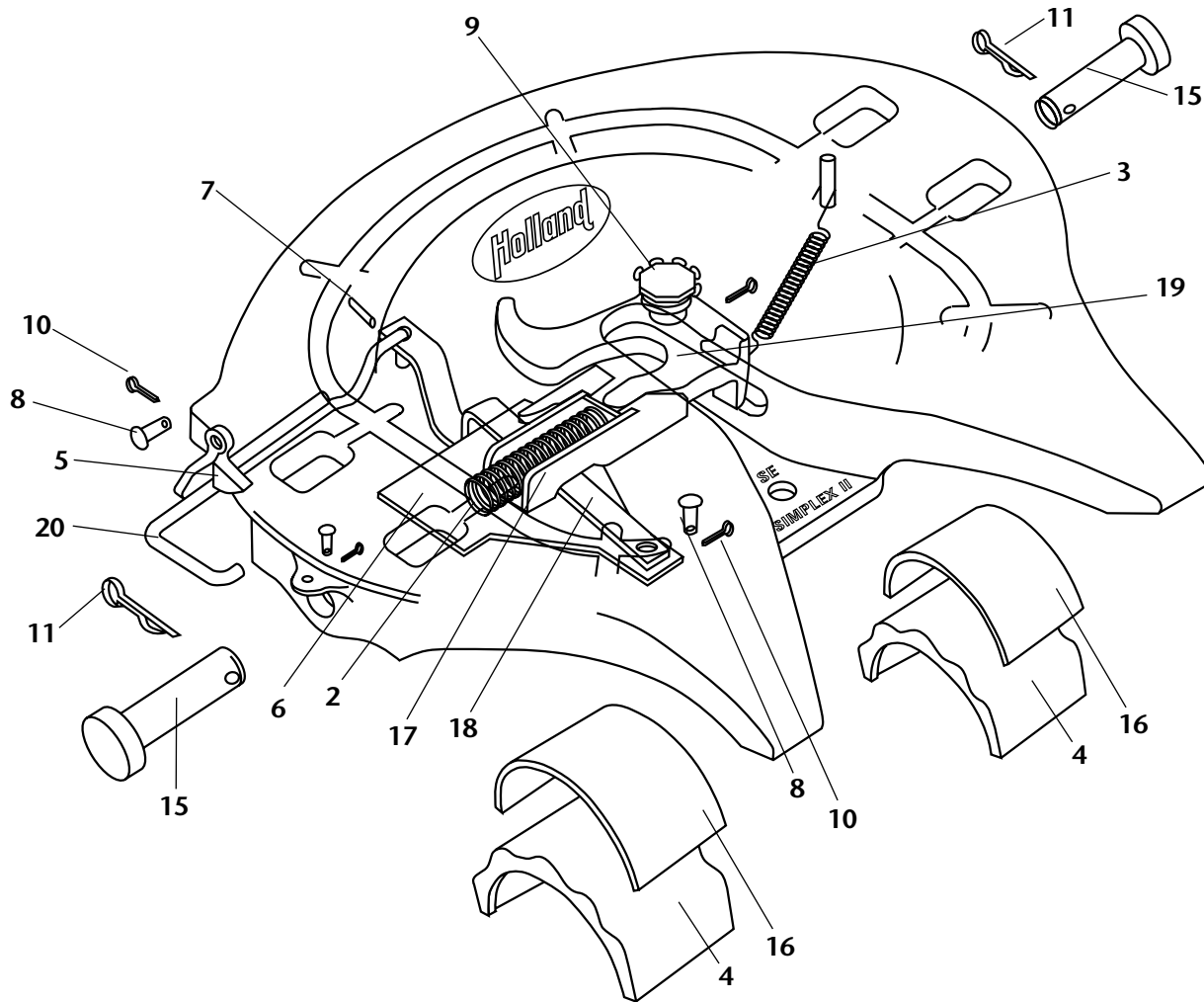
*** Hydraulic Lift Wheel

† King pin.

FIFTH WHEEL PARTS LIST

This page intentionally left blank

HOLLAND SIMPLEX II SE (LEFT HAND) PARTS LIST AND REBUILD KITS
SERIAL NUMBER PREFIX S2LS



ITEM NO.	DESCRIPTION	PART NO.	BULK ITEM NO.
1	Weld Stud (not shown)	9900103	B9900103
2	Lock Spring	1200706	B1200706
3	Jaw Return Spring	1200101	B1200101
4	Bracket Shoe	4100328	B4100328
5	Safety Indicator	4100294	B4100294
6	Cover Plate	4100767	
7	Slotted Spring Pin	9900181	B9900181
8	Safety Indicator Pin	5400711	B5400711
9	Eccentric Pin	4109921	
10	Cotter Pin	84261	B84261
11	Clinch Pin	9900169	B9900169

ITEM NO.	DESCRIPTION	PART NO.	BULK ITEM NO.
12	Clinch Pin (not shown)	9900170	B9900170
13	Clevis Pin (not shown)	5400706	
14	Clevis Pin (not shown)	5400707	B5400707
15	Bracket Pin	5400705	B5400705
16	Bracket Pad	4100329	B4100329
17	Lock	4109931	B4109931
18	Lever Bar	4100373	
19	Jaw	4109939	
20	Operating Rod	4100420	B4100420
21	Grease Fitting (not shown)	84787	B84787

Items Not Shown in Illustration

DESCRIPTION	PART NO.	BULK ITEM NO.
.33" Bracket Pad	4100339	B4100339

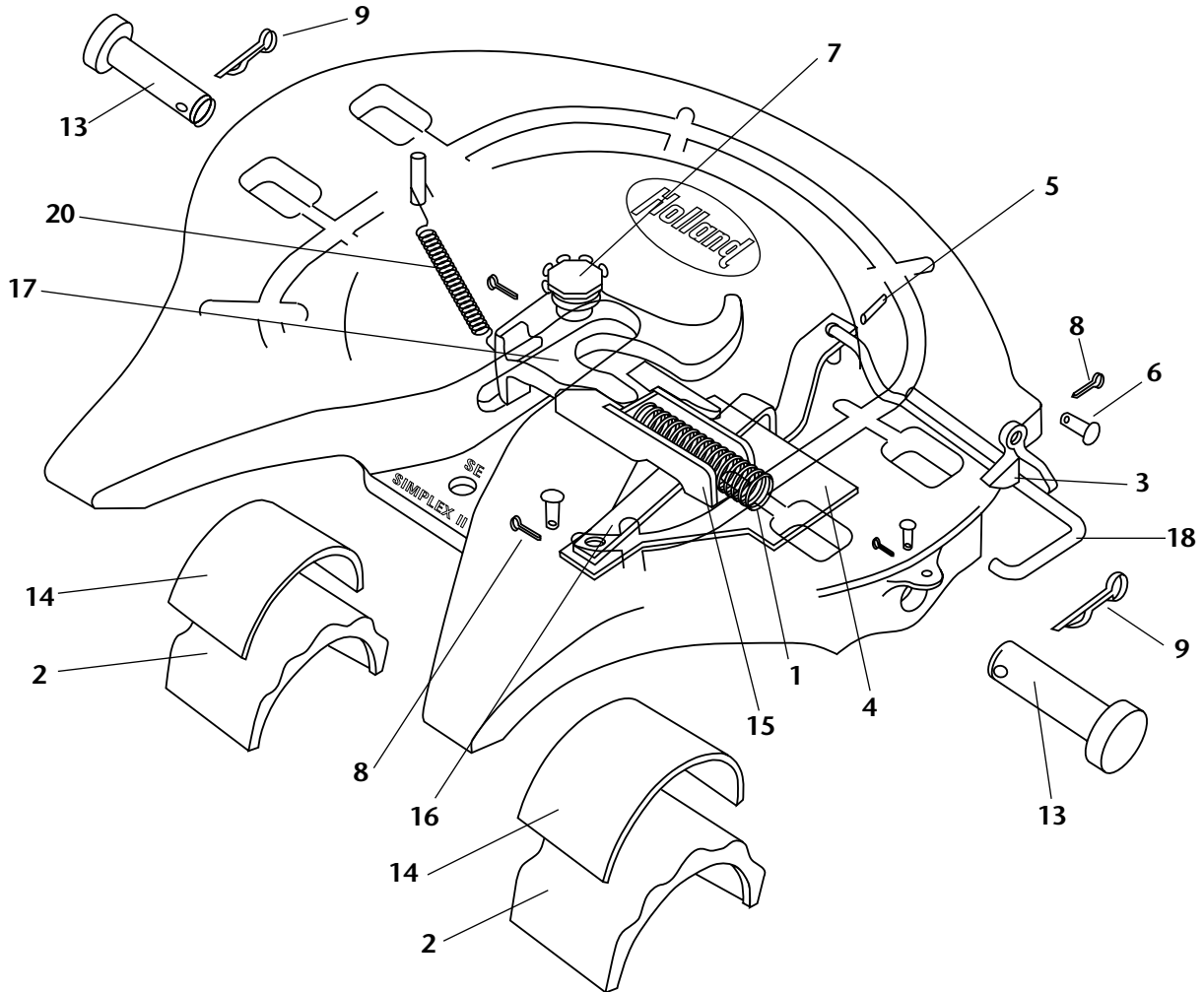
DESCRIPTION	PART NO.	BULK ITEM NO.
.42" Bracket Pad	4100376	B4100376

Rebuild Kits

KIT PART NO.	DESCRIPTION	ITEMS INCLUDED IN KIT
4000644	Jaw Kit	3,9,12,19
4000641	Bracket Connection Kit (.33" pads)	4,10,11,13-16
4000504	Bracket Connection Kit (.38" pads)	4,10,11,13-16
4000588	Bracket Connection Kit (.42" pads)	4,10-11,13-16
4000640	Bracket Pad Kit (.33" pads)	16

KIT PART NO.	DESCRIPTION	ITEMS INCLUDED IN KIT
4000528	Bracket Pad Kit (.38" pads)	16
4000587	Bracket Pad Kit (.42" pads)	16
4000647	Lock Kit	2,6,10,14,17-18
4000531	Operating Rod Kit	5,7-8,10,20

HOLLAND SIMPLEX II SE (RIGHT HAND) PARTS LIST AND REBUILD KITS
SERIAL NUMBER PREFIX S2R



ITEM NO.	DESCRIPTION	PART NO.	BULK ITEM NO.
1	Lock Spring	1200706	B1200706
2	Bracket Shoe	4100328	B4100328
3	Safety Indicator	4300312	
4	Cover Plate	4100767	
5	Slotted Spring Pin	9900181	B9900181
6	Safety Indicator Pin	5400711	B5400711
7	Eccentric Pin	4109921	
8	Cotter Pin	84261	B84261
9	Clinch Pin	9900169	B9900169
10	Clinch Pin (not shown)	900170	B9900170

ITEM NO.	DESCRIPTION	PART NO.	BULK ITEM NO.
11	Clevis Pin (not shown)	5400706	
12	Clevis Pin (not shown)	5400707	B5400707
13	Bracket Pin	5400705	B5400705
14	Bracket Pin	4100329	B4100329
15	Lock	4109809	
16	Lever Bar	4100392	
17	Jaw	4109940	
18	Operating Rod	4100448	B4100448
19	Grease Fitting (not shown)	84787	B84787
20	Jaw Return Spring	1200101	B1200101

Items Not Shown in Illustration

DESCRIPTION	PART NO.	BULK ITEM NO.
.33" Bracket Pad	4100339	B4100339

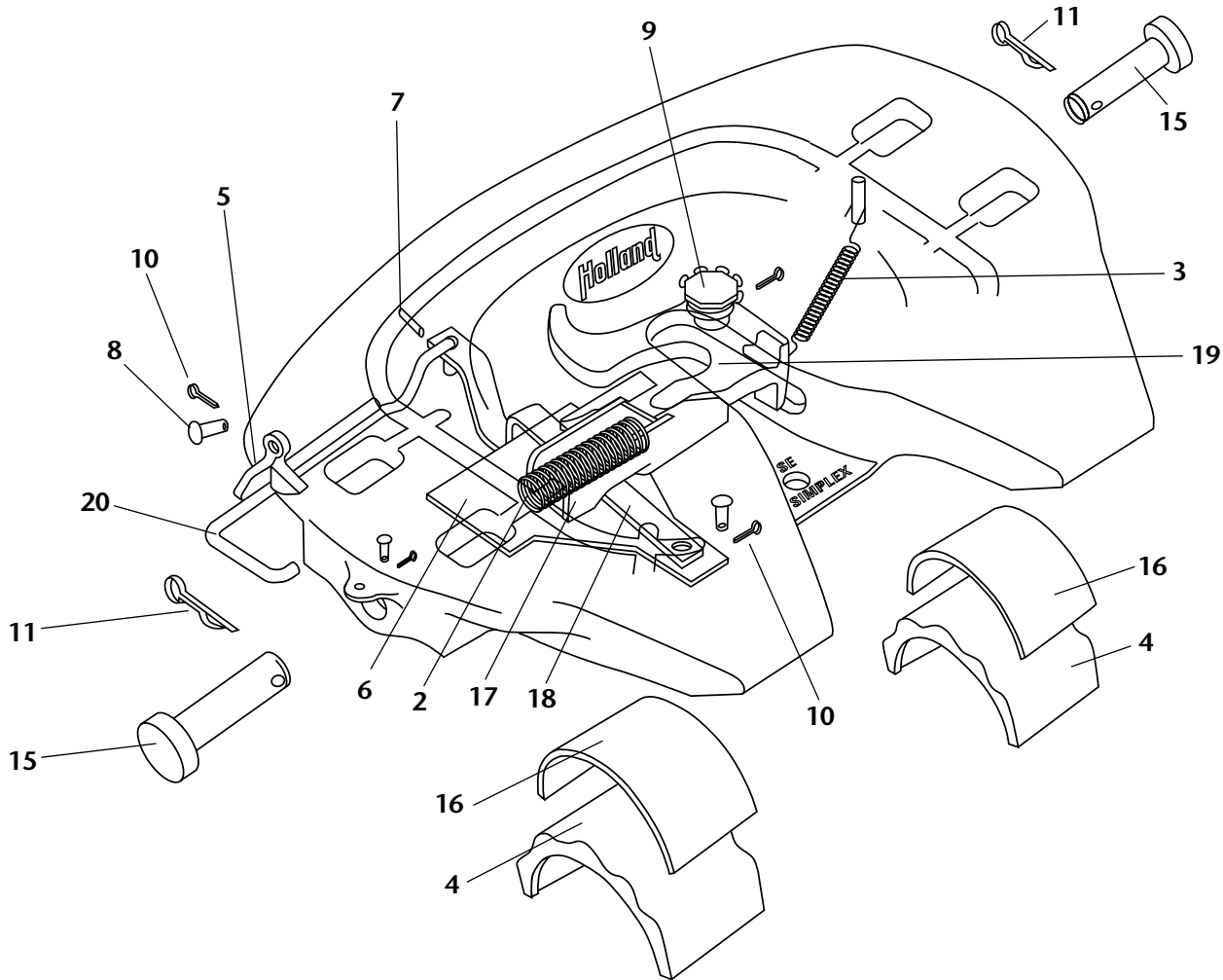
DESCRIPTION	PART NO.	BULK ITEM NO.
.42" Bracket Pad	4100376	B4100376

Rebuild Kits

KIT PART NO.	DESCRIPTION	ITEMS INCLUDED IN KIT
4000645	Jaw Kit	7,10,17,20
4000641	Bracket Connection Kit (.33" pads)	2,8,9,11,12-14
4000504	Bracket Connection Kit (.38" pads)	2,8,9,11,12-14
4000588	Bracket Connection Kit (.42" pads)	2,8,9,11,12-14
4000640	Bracket Pad Kit (.33" pads)	14

KIT PART NO.	DESCRIPTION	ITEMS INCLUDED IN KIT
4000528	Bracket Pad Kit (.38" pads)	14
4000587	Bracket Pad Kit (.42" pads)	14
4000648	Lock Kit	1,4,8,12,15-16
4000646	Operating Rod Kit	3,5-6,8,18

HOLLAND SIMPLEX SE PARTS LIST AND REBUILD KITS
SERIAL NUMBER PREFIX STLS



ITEM NO.	DESCRIPTION	PART NO.	BULK ITEM NO.
1	Weld Stud (not shown)	9900103	B9900103
2	Lock Spring	1200706	B1200706
3	Jaw Return Spring	1200101	B1200101
4	Bracket Shoe	4100328	B4100328
5	Safety indicator	4100294	B4100294
6	Cover Plate	4100767	
7	Slotted Spring Pin	9900181	B9900181
8	Safety Indicator Pin	5400711	B5400711
9	Eccentric Pin	4109921	
10	Cotter Pin	84261	B84261
11	Clinch Pin	9900169	B9900169

ITEM NO.	DESCRIPTION	PART NO.	BULK ITEM NO.
12	Clinch Pin (not shown)	9900170	B9900170
13	Clevis Pin (not shown)	5400706	
14	Clevis Pin (not shown)	5400707	B5400707
15	Bracket Pin	5400705	B5400705
16	Bracket Pin	4100329	B4100329
17	Lock	4109931	B4109931
18	Lever Bar	4100373	
19	Jaw	4109939	
20	Operating Rod	4100420	B4100420
21	Grease Fitting (not shown)	84787	B84787

Items Not Shown in Illustration

DESCRIPTION	PART NO.	BULK ITEM NO.
.33" Bracket Pad	4100339	B4100339

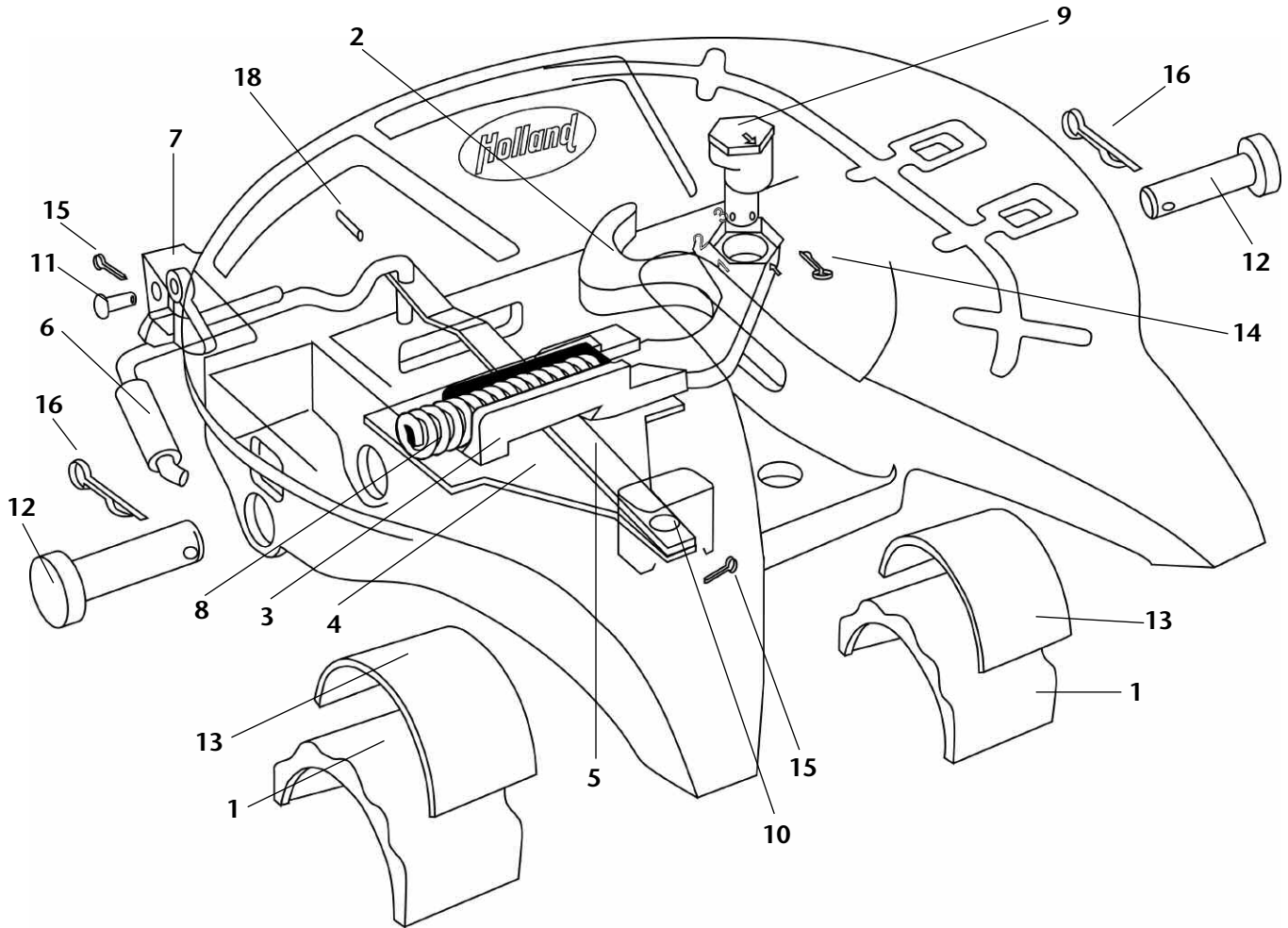
DESCRIPTION	PART NO.	BULK ITEM NO.
.42" Bracket Pad	4100376	B4100376

Rebuild Kits

KIT PART NO.	DESCRIPTION	ITEMS INCLUDED IN KIT
4000644	Jaw Kit	3,9,12,19
4000641	Bracket Connection Kit (.33"pads)	4,10,11,13-16
4000504	Bracket Connection Kit (.38"pads)	4,10,11,13-16
4000588	Bracket Connection Kit (.42"pads)	4,10,11,13-16
4000640	Bracket Pad Kit (.33"pads)	16

KIT PART NO.	DESCRIPTION	ITEMS INCLUDED IN KIT
4000528	Bracket Pad Kit (.38"pads)	16
4000587	Bracket Pad Kit (.42"pads)	16
4000647	Lock Kit	2,6,10,14,17-18
4000509	Operating Rod Kit	5,7-8,10,20

HOLLAND SIMPLEX II PARTS LIST AND REBUILD KITS
SERIAL NUMBER PREFIX LSL OR SL



ITEM NO.	DESCRIPTION	PART NO.	BULK ITEM NO.
1	Bracket Shoe	4100328	B4100328
2	Jaw *	4109939	
3	Lock	4109931	B4109931
4	Cover Plate	4100767	
5	Lever Bar	4100712	
6	Operating Rod	4100342	B4100342
7	Safety Indicator	4100294	
8	Lock Spring	1200706	B1200706
9	Eccentric Pin	4109916	

ITEM NO.	DESCRIPTION	PART NO.	BULK ITEM NO.
10	Lever Bar Pin	5400766	B5400766
11	Safety Indicator Pin	5400711	B5400711
12	Bracket Pin	5400705	B5400705
13	.38" Bracket Pad	4100329	B4100329
14	Clinch Pin	9900170	B9900170
15	Cotter Pin	84261	B84261
16	Clinch Pin	9900169	B9900169
17	Grease Fitting (not shown)	84787	B84787
18	Slotted Spring Pin	9900181	B9900181

* NOTE: The current jaw 4109939, replaces the previous design jaw 4109930.

Items Not Shown in Illustration

DESCRIPTION	PART NO.	BULK ITEM NO.
.33" Bracket Pad	4100339	B4100339
.42" Bracket Pad	4100376	B4100376

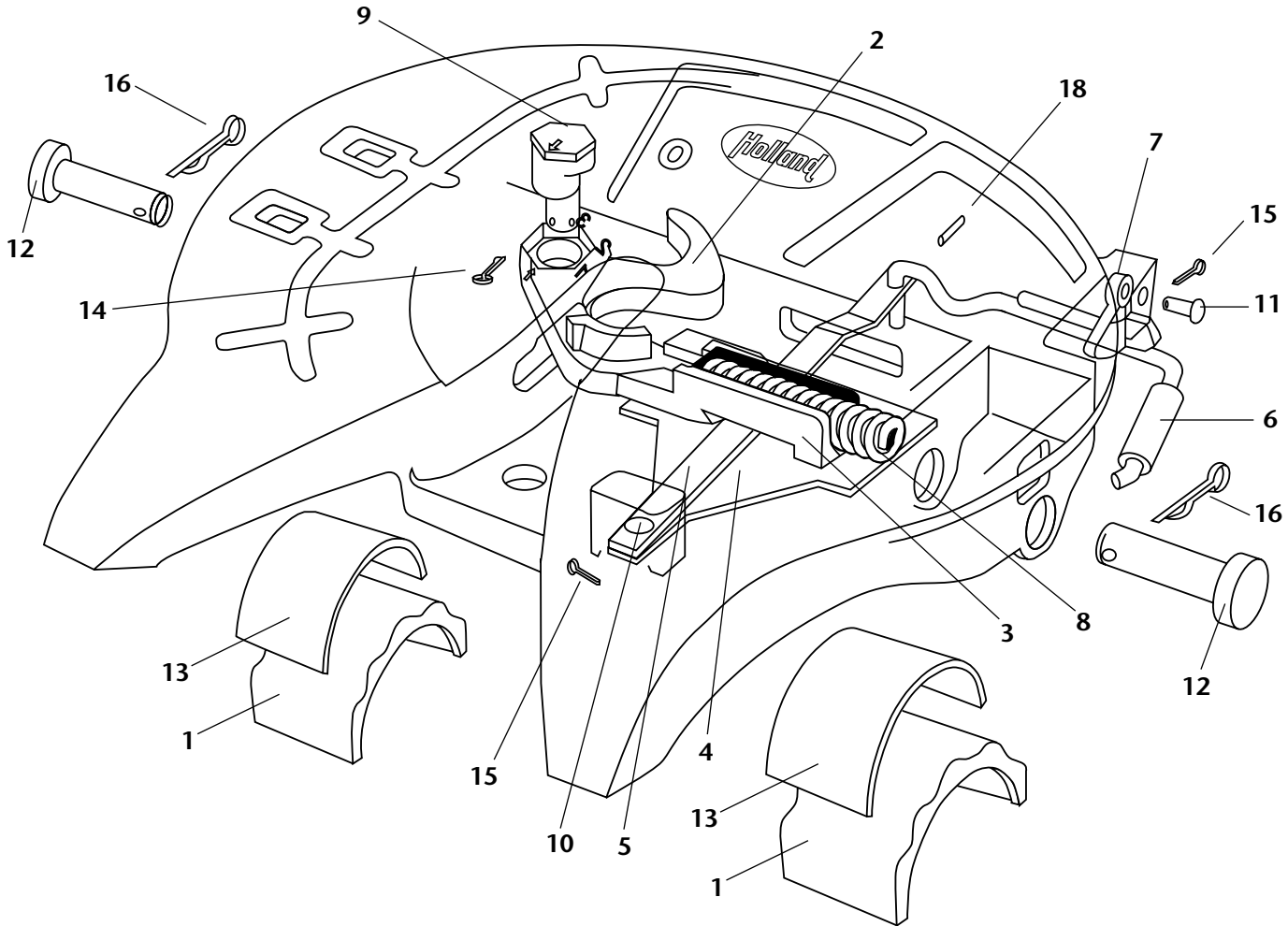
DESCRIPTION	PART NO.	BULK ITEM NO.
Oversize Jaw Pin	4109977	B4109977
Safety Indicator	4100374	B4100374

Rebuild Kits

KIT PART NO.	DESCRIPTION	ITEMS INCLUDED IN KIT
4000501	Jaw Kit - Standard Eccentric Pin	2,9,14
4000502	Jaw Kit - Oversize Eccentric Pin	2,9,14
4000641	Bracket Connection Kit (.33" pads)	1,12-13,16
4000504	Bracket Connection Kit (.42" pads)	1,12-13,16
4000588	Bracket Connection Kit (.42" pads)	1,12-13,16

KIT PART NO.	DESCRIPTION	ITEMS INCLUDED IN KIT
4000640	Bracket Pad Kit (.33" pads)	13
4000528	Bracket Pad Kit (.38" pads)	13
4000587	Bracket Pad Kit (.42" pads)	13
4000572	Lock Kit	3-5,8,10,15
4000509	Operating Rod Kit	6-7,11,15,18

HOLLAND SIMPLEX II RH PARTS LIST AND REBUILD KITS
SERIAL NUMBER PREFIX SR



ITEM NO.	DESCRIPTION	PART NO.	BULK ITEM NO.
1	Bracket Shoe	4100328	B4100328
2	Jaw *	4109940	
3	Lock	4109808	
4	Cover Plate	4100767	
5	Lever Bar	4100712	
6	Operating Rod	4100441	B4100441
7	Safety Indicator	4100428	B4100428
8	Lock Spring	1200706	B1200706
9	Eccentric Pin	4109916	

ITEM NO.	DESCRIPTION	PART NO.	BULK ITEM NO.
10	Lever Bar Pin	5400766	B5400766
11	Safety Indicator Pin	5400711	B5400711
12	Bracket Pin	5400705	B5400705
13	.38" Bracket Pad	4100329	B4100329
14	Clinch Pin	9900170	B9900170
15	Cotter Pin	84261	B84261
16	Clinch Pin	9900169	B9900169
17	Grease Fitting (not shown)	84787	B84787
18	Slotted Spring Pin	9900181	B9900181

* NOTE: The current jaw 4109940, replaces the previous design jaw 4109920.

Items Not Shown in Illustration

DESCRIPTION	PART NO.	BULK ITEM NO.
.33" Bracket Pad	4100339	B4100339
.42" Bracket Pad	4100376	B4100376

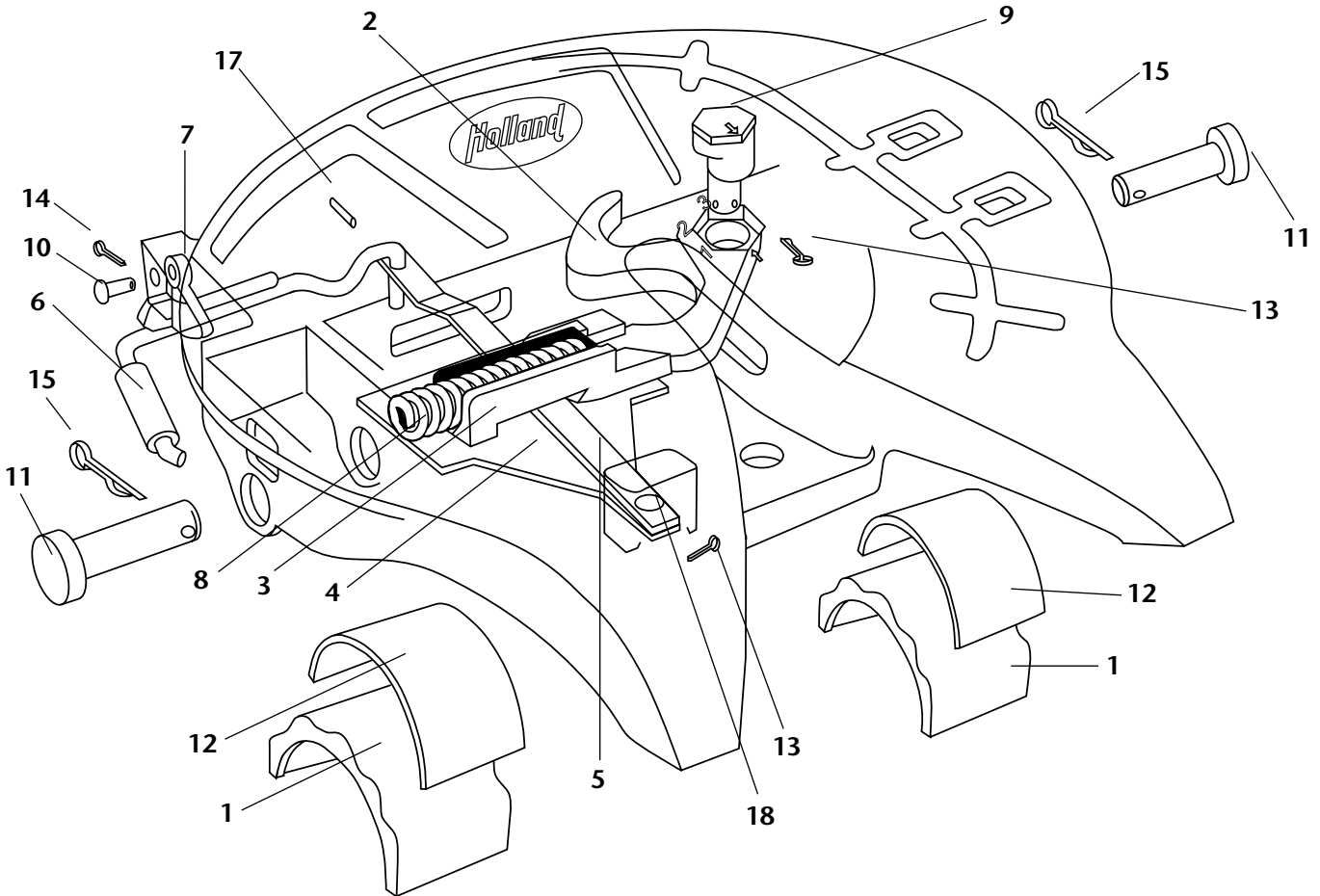
DESCRIPTION	PART NO.	BULK ITEM NO.
Safety Indicator	4100374	B4100374

Rebuild Kits

KIT PART NO.	DESCRIPTION	ITEMS INCLUDED IN KIT
4000503	Jaw Kit - Standard Eccentric Pin	2,9,14
4000523	Jaw Kit - Oversize Eccentric Pin	2,9,14
4000641	Bracket Connection Kit (.33" pads)	1,12-13,16
4000504	Bracket Connection Kit (.42" pads)	1,12-13,16
4000588	Bracket Connection Kit (.42" pads)	1,12-13,16

KIT PART NO.	DESCRIPTION	ITEMS INCLUDED IN KIT
4000640	Bracket Pad Kit (.33" pads)	13
4000528	Bracket Pad Kit (.38" pads)	13
4000587	Bracket Pad Kit (.42" pads)	13
4000574	Lock Kit	3-5,8,10,15
4000512	Operating Rod Kit	6-7,11,15,18

HOLLAND SIMPLEX (FORMERLY SIMPLEX LITE STRAIGHT PULL) PARTS LIST
SERIAL NUMBER PREFIX LSL or SLS



ITEM NO.	DESCRIPTION	PART NO.	BULK ITEM NO.
1	Bracket Shoe	4100328	B4100328
2	Jaw	4109939	
3	Lock	4109931	B4109931
4	Cover Plate	4100155	
5	Lever Bar	4100373	
6	Operating Rod	4100420	B4100420
7	Safety Indicator	4100294	B4100294
8	Lock Spring	1200706	B1200706
9	Eccentric Pin	4109916	

ITEM NO.	DESCRIPTION	PART NO.	BULK ITEM NO.
10	Safety Indicator Pin	5400711	B5400711
11	Bracket Pin	5400705	B5400705
12	.38" Bracket Pad	4100329	B4100329
13	Clinch Pin	9900170	B9900170
14	Cotter Pin	84261	B84261
15	Clinch Pin	9900169	B9900169
16	Grease Fitting (not shown)	84787	B84787
17	Slotted Spring Pin	9900181	B9900181
18	Lever Bar Pin	4000250	

Items Not Shown in Illustration

DESCRIPTION	PART NO.	BULK ITEM NO.
Safety Indicator	4101250	B4101250
Non-TouchLoc Operating Rod	4100332	B4100332
Over-size Jaw Pin	4109977	B4109977

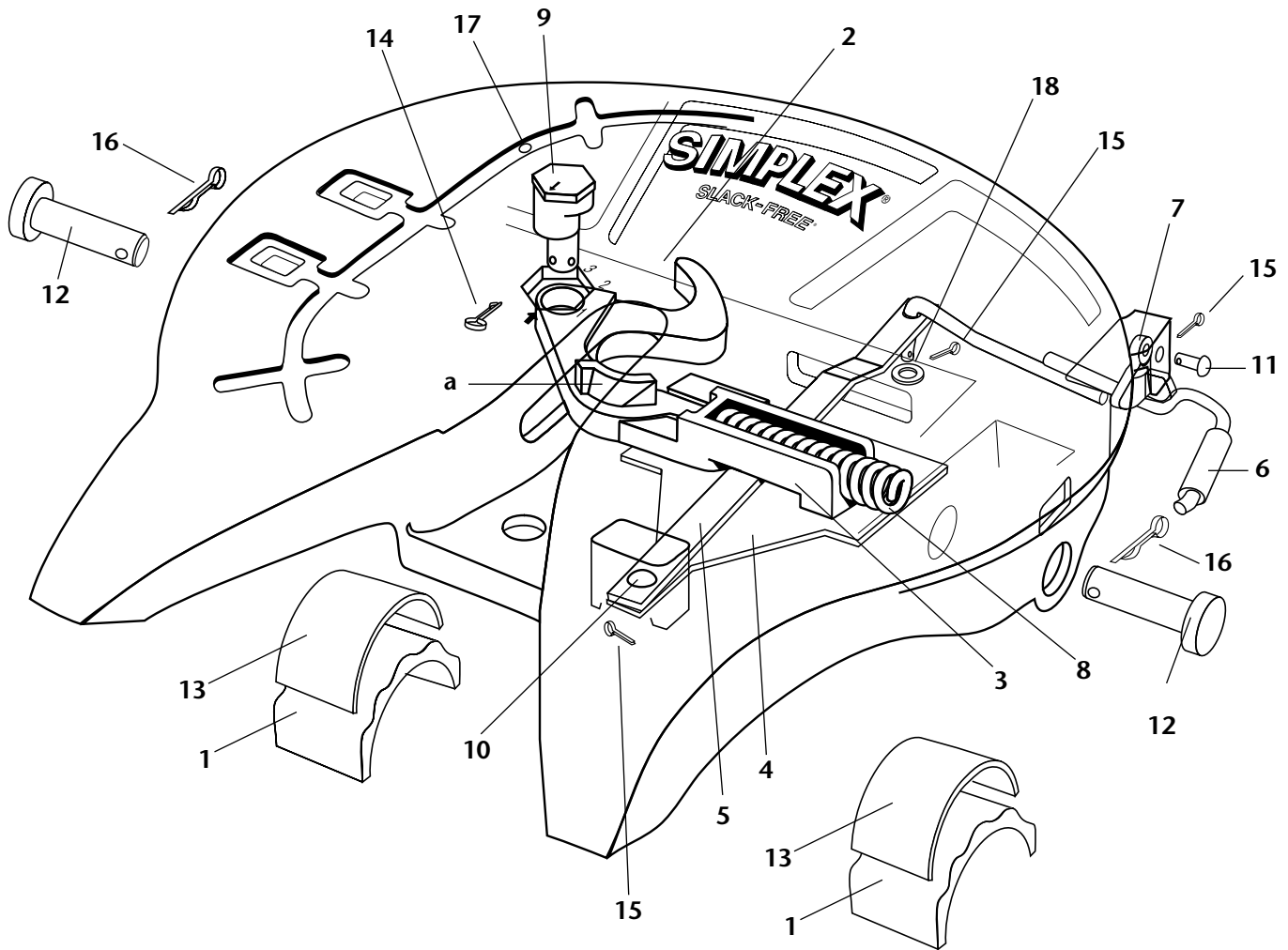
DESCRIPTION	PART NO.	BULK ITEM NO.
.33" Bracket Pad	4100339	B4100339
.42" Bracket Pad	4100376	B4100376

Rebuild Kits

KIT PART NO.	DESCRIPTION	ITEMS INCLUDED IN KIT
4000501	Jaw Kit - Standard Eccentric Pin	2,9,13
4000502	Jaw Kit - Over-size Eccentric Pin	2,9,13
4000641	Bracket Connection Kit (.33" pads)	1,11-12,15
4000504	Bracket Connection Kit (.38" pads)	1,11-12,15
4000588	Bracket Connection Kit (.42" pads)	1,11-12,15
4000640	Bracket Connection Kit (.33" pads)	12

KIT PART NO.	DESCRIPTION	ITEMS INCLUDED IN KIT
4000528	Bracket Pad Kit (.38" pads)	13
4000587	Bracket Pad Kit (.42" pads)	13
4000570	Lock Kit	3-5,8,13,18
4000531	Operating Rod Kit for TouchLoc	6-7,10,14,17
4000507	Operating Rod Kit	6-7,10,14,17

HOLLAND SIMPLEX RH PARTS LIST AND REBUILD KITS
SERIAL NUMBER PREFIX SR



ITEM NO.	DESCRIPTION	PART NO.	BULK ITEM NO.
1	Bracket Shoe	4109811	B4109811
2	Jaw *	4109940	
3	Lock	4109808	
4	Cover Plate	4100767	
5	Lever Bar	4100712	
6	Operating Rod	4100350	B4100350
7	Safety Indicator	4109812	B4109812
8	Lock Spring	1200706	B1200706
9	Eccentric Pin	4109916	

ITEM NO.	DESCRIPTION	PART NO.	BULK ITEM NO.
10	Lever Bar Pin	5400766	B5400766
11	Safety Indicator Pin	5400711	B5400711
12	Bracket Pin	5400705	B5400705
13	Bracket Pad	4100358	B4100358
14	Clinch Pin	9900170	B9900170
15	Cotter Pin	84261	B84261
16	Clinch Pin	9900169	B9900169
17	Grease Fitting (not shown)	84787	B84787
18	Washer	9900846	B9900846

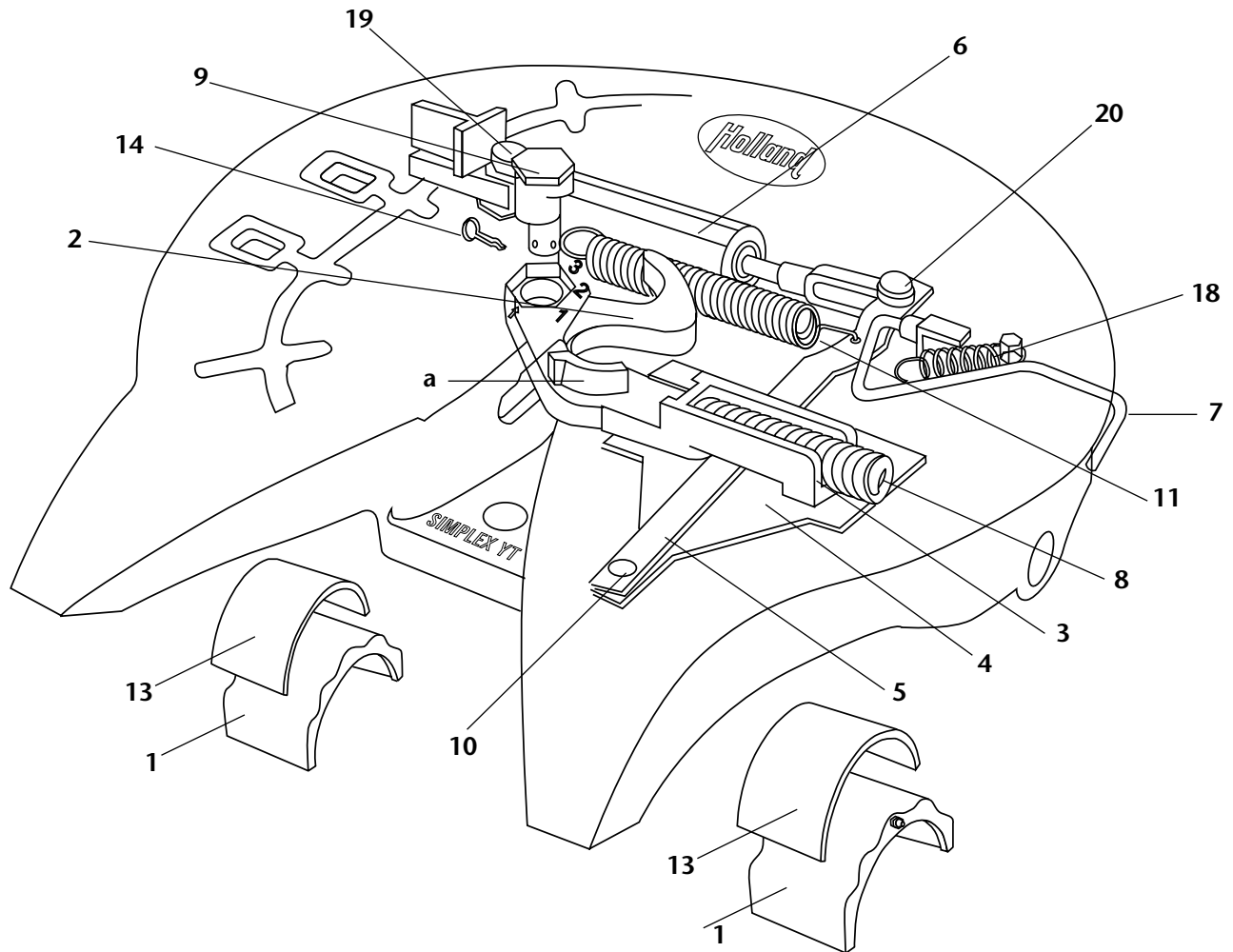
* NOTE: The current jaw 4109940, which replaces the previous design jaw 4109920, does not contain the lug "a" as pictured above.

Rebuild Kits

KIT PART NO.	DESCRIPTION	ITEMS INCLUDED IN KIT
4000503	Jaw Kit - Standard Eccentric Pin	2,9,14
4000523	Jaw Kit - Oversize Eccentric Pin	2,9,14
4000505	Bracket Connection Kit (.578" pads)	1,12-13,16

KIT PART NO.	DESCRIPTION	ITEMS INCLUDED IN KIT
4000529	Bracket Pad Kit (.578" pads)	13
4000511	Operating Rod Kit	6-7,11,15,18
4000574	Lock Kit	3-5,8,10,15

**HOLLAND SIMPLEX YARD TRACTOR WITH LOCKOUT PARTS LIST AND REBUILD KITS
SERIAL NUMBER PREFIX SA**



ITEM NO.	DESCRIPTION	PART NO.	BULK ITEM NO.
1	Bracket Shoe	4109811	B4109811
2	Jaw *	4109940	
3	Lock	4109808	
4	Cover Plate	4100767	
5	Lever Bar	4100211	
6	Air Cylinder	4100338	
7	Lockout Cylinder Rod	4100206	
8	Lock Spring	1200706	B1200706
9	Eccentric Pin	4109916	
10	Lever Bar Pin	5400766	B5400766

ITEM NO.	DESCRIPTION	PART NO.	BULK ITEM NO.
11	Extension Spring	4100212	B4100212
12	Bracket Pin (not shown)	5400705	B5400705
13	Bracket Pad	4100358	B4100358
14	Clinch Pin (not shown)	9900170	B9900170
15	Cotter Pin (not shown)	84261	B84261
16	Clinch Pin (not shown)	9900169	B9900169
17	Grease Fitting	84787	B84787
18	Extension Spring	4100333	
19	Clevis	9900177	
20	Clevis Pin	5400219	

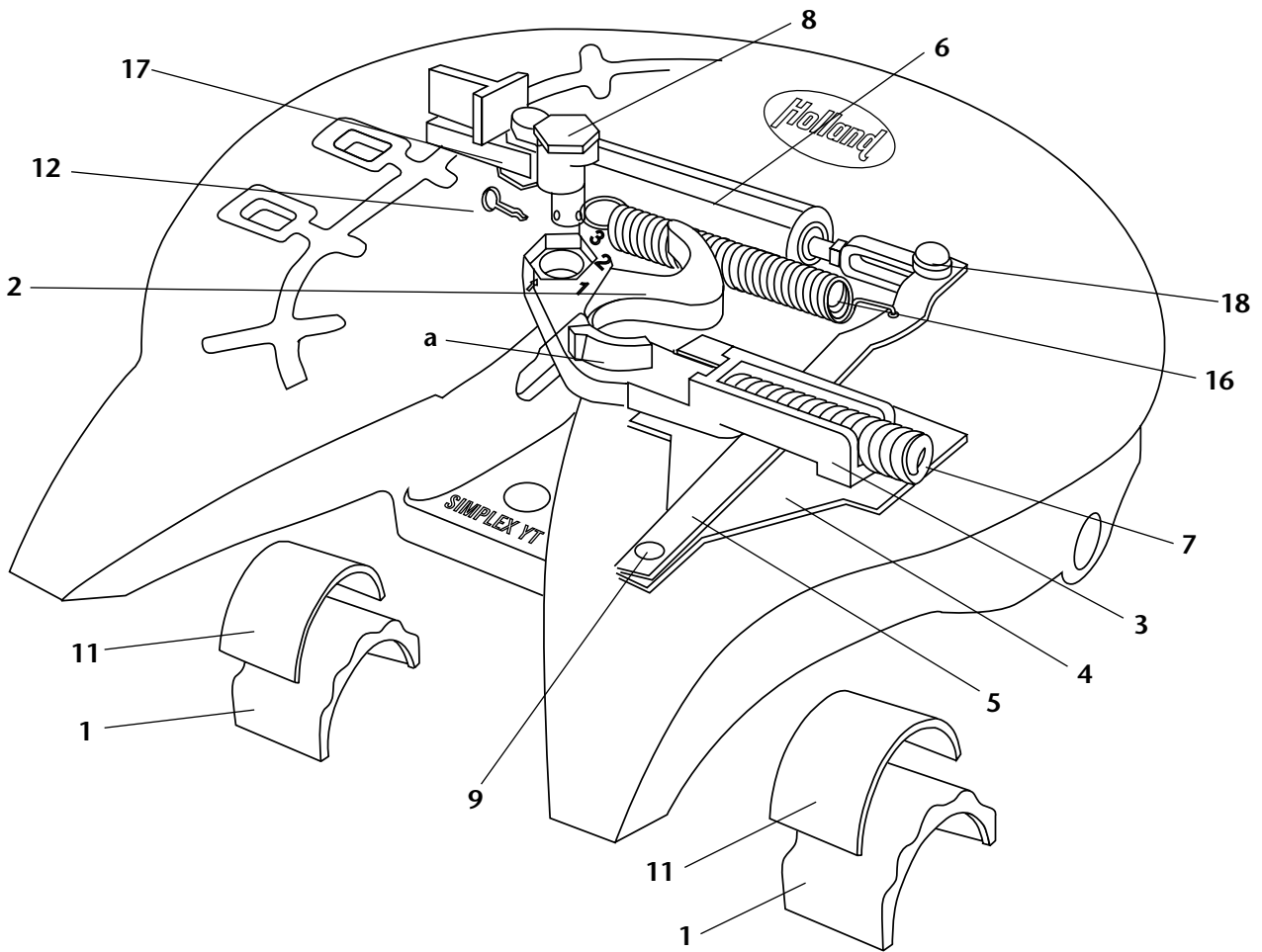
* NOTE: The current jaw 4109940, which replaces the previous design jaw 4109920, does not contain the lug "a" as pictured above.

Rebuild Kits

KIT PART NO.	DESCRIPTION	ITEMS INCLUDED IN KIT
4000503	Jaw Kit - Standard Eccentric Pin	2,9,14
4000523	Jaw Kit - Oversize Eccentric Pin	2,9,14
4000505	Bracket Connection Kit (.578" pads)	1,12-13,16

KIT PART NO.	DESCRIPTION	ITEMS INCLUDED IN KIT
4000529	Bracket Pad Kit (.578" pads)	13
4000513	Rebuild Kit	1-20
4000223	Air Cylinder Repair Kit	Not Shown

**HOLLAND SIMPLEX YARD TRACTOR WITHOUT LOCKOUT PARTS AND REBUILD KITS
SERIAL NUMBER PREFIX SA**



ITEM NO.	DESCRIPTION	PART NO.	BULK ITEM NO.
1	Bracket Shoe	4109811	B4109811
2	Jaw *	4109940	
3	Lock	4109808	
4	Cover Plate	4100767	
5	Lever Bar	4100215	
6	Air Cylinder	4100338	
7	Lock Spring	1200706	B1200706
8	Eccentric Pin	4109916	
9	Lever Bar Pin	5400766	B5400766

ITEM NO.	DESCRIPTION	PART NO.	BULK ITEM NO.
10	Bracket Pin (not shown)	5400705	B5400705
11	Bracket Pad	4100358	B4100358
12	Clinch Pin	9900170	B9900170
13	Cotter Pin (not shown)	84261	B84261
14	Clinch Pin (not shown)	9900169	B9900169
15	Grease Fitting (not shown)	84787	B84787
16	Extension Spring	4100333	B4100333
17	Clevis	9900177	
18	Clevis Pin	5400219	

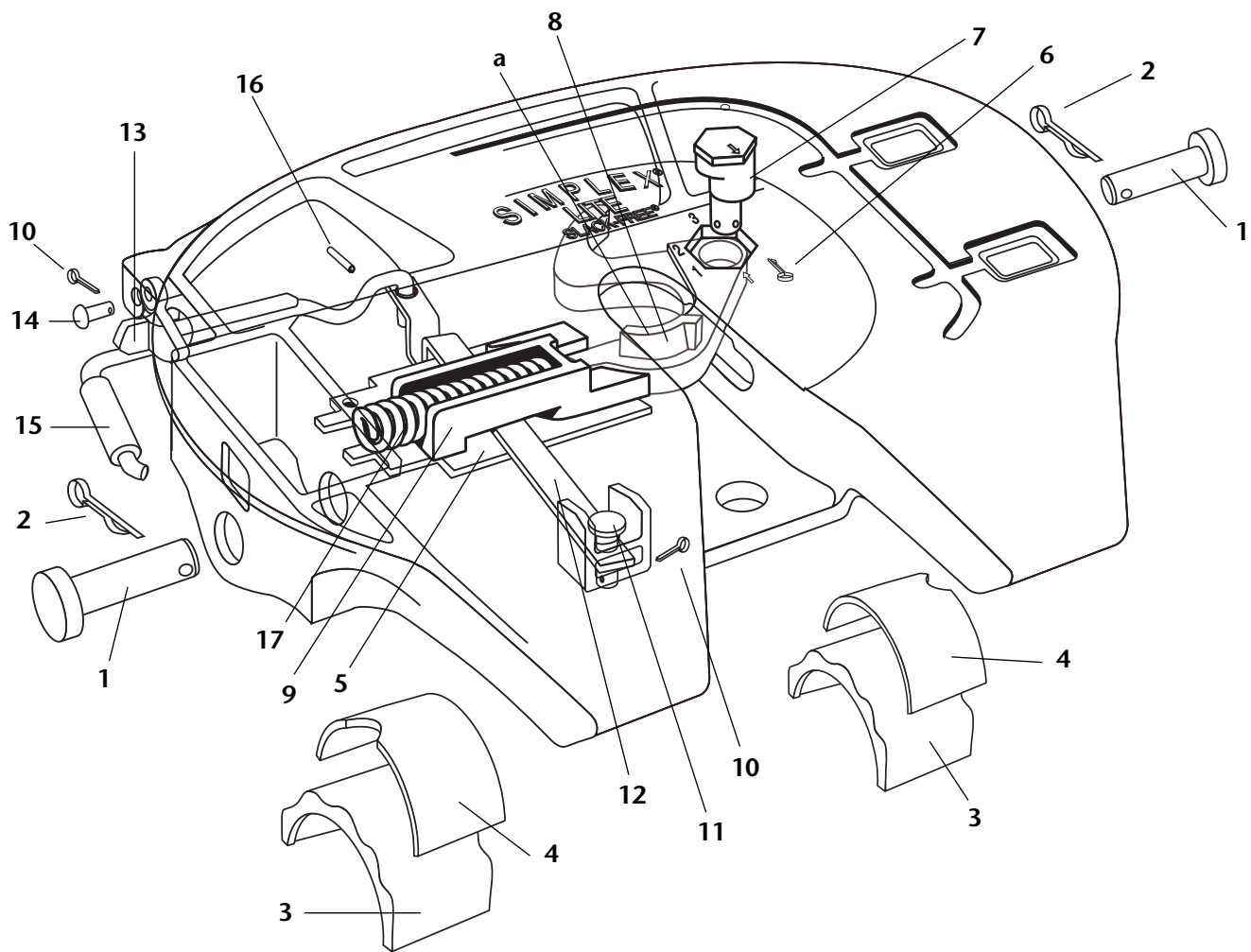
* NOTE: The current jaw 4109940, which replaces the previous design jaw 4109920, does not contain the lug "a" as pictured above.

Rebuild Kits

KIT PART NO.	DESCRIPTION	ITEMS INCLUDED IN KIT
4000503	Jaw Kit - Standard Eccentric Pin	2,8,12
4000523	Jaw Kit - Oversize Eccentric Pin	2,8,12
4000505	Bracket Connection Kit (.578" pads)	1,10-11,14

KIT PART NO.	DESCRIPTION	ITEMS INCLUDED IN KIT
4000529	Bracket Pad Kit (.578" pads)	11
4000500	Rebuild Kit	1-18
4000223	Air Cylinder Repaid Kit	Not Shown

SIMPLEX LITE STRAIGHT PULL PARTS LIST AND REBUILD KITS-*DISCONTINUED*



ITEM NO.	DESCRIPTION	PART NO.
1	Bracket Pins (2 required)	5400705
2	Clinch Pins for Bracket Pins (2 required)	9900169
3	Bracket Shoes (2 required)	4100328
4	Bracket Pads (2 required)	4100329
5	Cover Plate	4100155
6	Clinch Pin for Jaw Pin	9900170
7	Jaw Pin (standard)	4109916
7a	Jaw Pin (oversize - not shown)	4109977
8	Jaw*	4109935

ITEM NO.	DESCRIPTION	PART NO.
9	Lock	4109931
10	Cotter Pin (2 required)	84261
11	Lever Bar Pin	4000250
12	Lever Pin	4100373
13	Safety Indicator	4101250
14	Safety Indicator Pin	5400711
15	Operating Rod	4100382
16	Slotted Spring Pin	9900181
17	Lock Spring	1200706

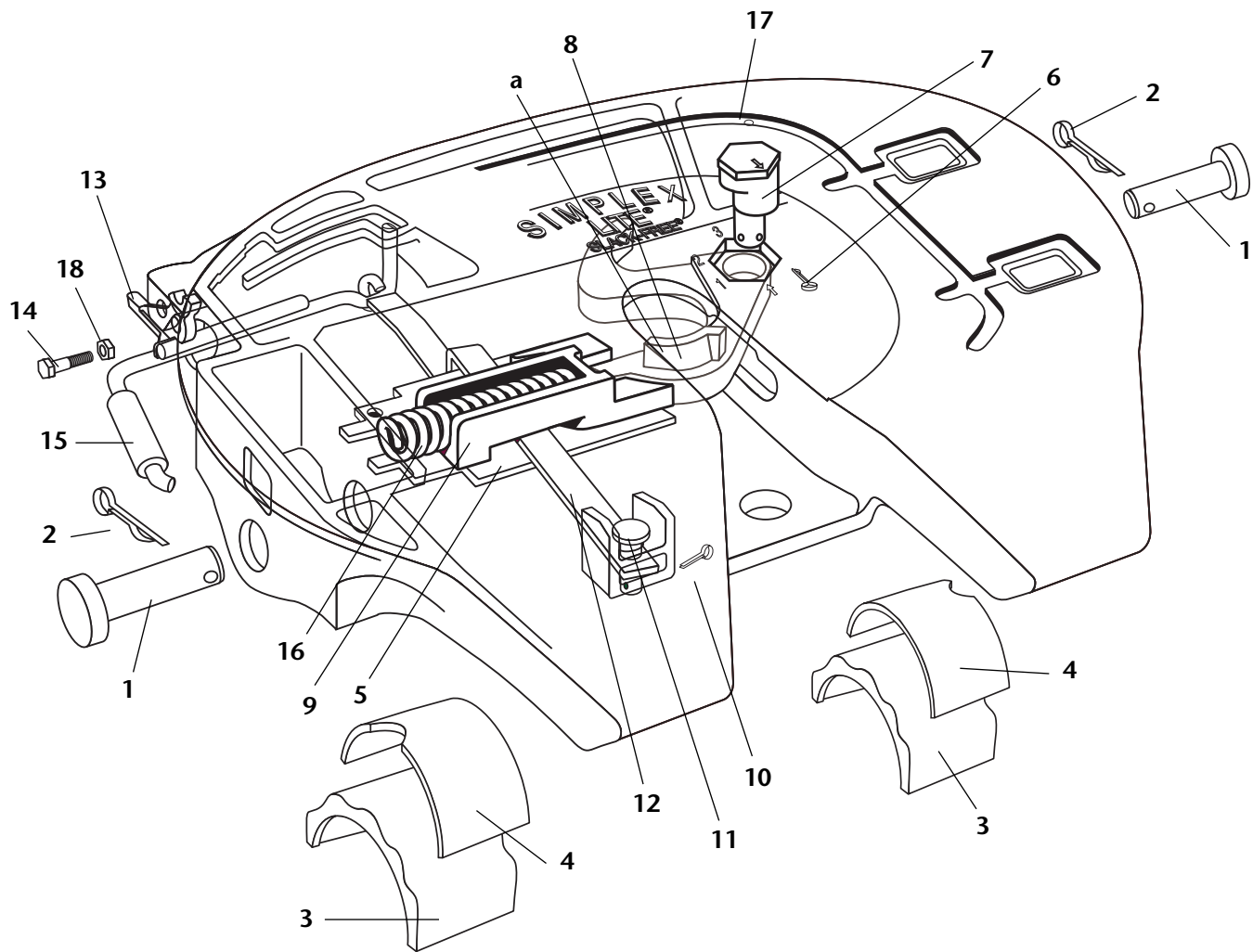
* Note: The current jaw 4109935, which replaces the previous design jaw 4109930, does not contain the lug "a" as pictured above.

Rebuild Kits

KIT AVAILABLE	ITEMS INCLUDED IN KIT	PART NO.
Jaw Rebuild Kit	6, 7, 8	4000501
Jaw Rebuild Kit (oversize)	6, 7a, 8	4000502
Bracket Pad Kit	4	4000528

KIT AVAILABLE	ITEMS INCLUDED IN KIT	PART NO.
Jaw Rebuild Kit	6, 7, 8	4000501
Jaw Rebuild Kit (oversize)	6, 7a, 8	4000502
Bracket Pad Kit	4	4000528

SIMPLEX LITE ROTARY PULL PARTS LIST AND REBUILD KITS-*DISCONTINUED*



ITEM NO.	DESCRIPTION	PART NO.
1	Bracket Pins (2 required)	5400705
2	Clinch Pins for Bracket Pins (2 required)	9900169
3	Bracket Shoes (2 required)	4100328
4	Bracket Pads (2 required)	4100329
5	Cover Plate	4100155
6	Clinch Pin for Jaw Pin	9900170
7	Jaw Pin (standard)	4109916
7a	Jaw Pin (oversize - not shown)	4109977
8	Jaw*	4109935
9	Lock	4109931

ITEM NO.	DESCRIPTION	PART NO.
10	Cotter Pin	84261
11	Lever Bar Pin	4000250
12	Lever Pin	4100372
13	Safety Indicator	4100374
14	Bolt Shoulder	4100402
15	Operating Rod	4100386
16	Lock Spring	1200706
17	Grease Fittings (2 required)	84787
18	Self-locking Nut	9900139

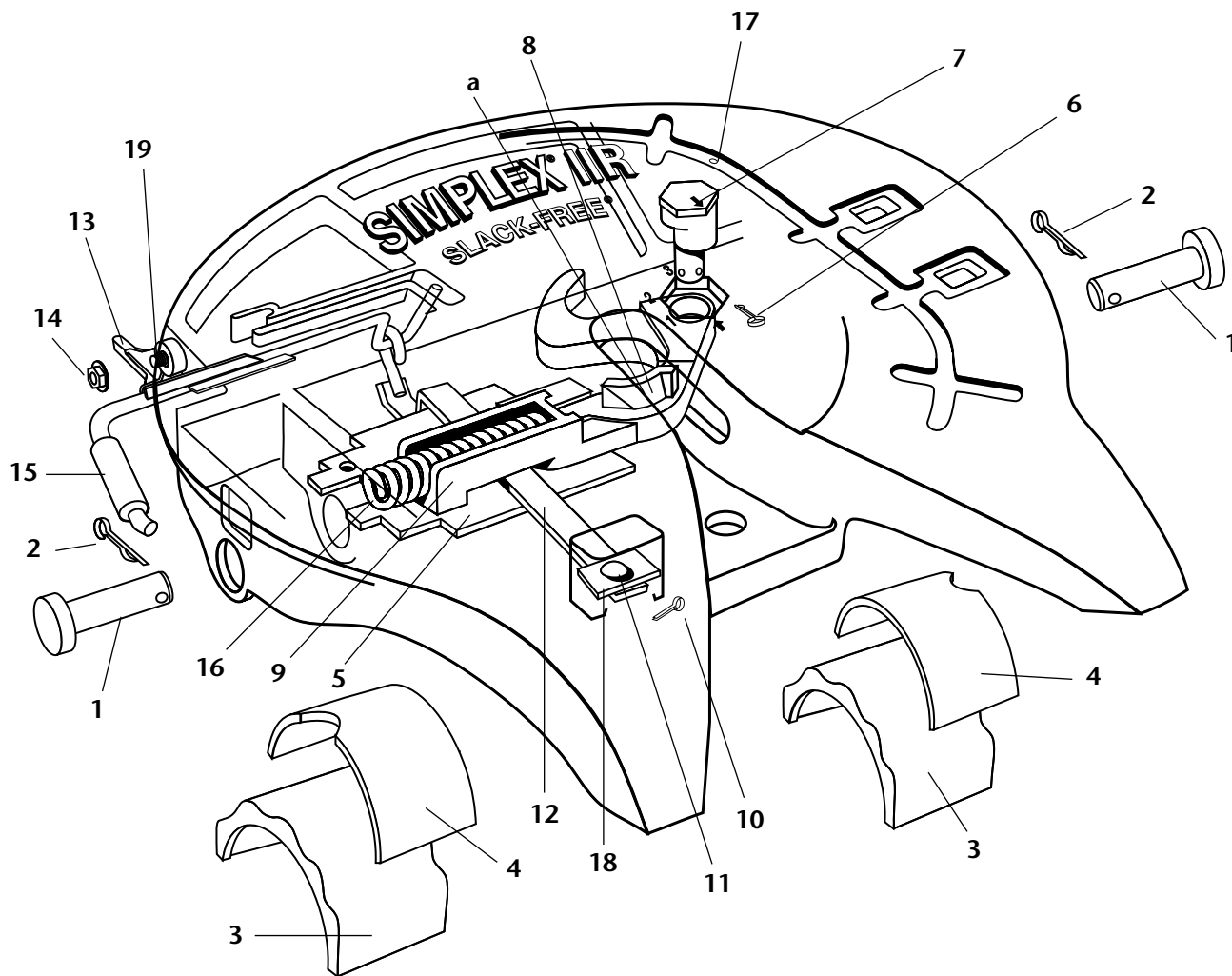
* Note: The current jaw 4109935, which replaces the previous design jaw 4109930, does not contain the lug "a" as pictured above.

Rebuild Kits

KIT AVAILABLE	ITEMS INCLUDED IN KIT	PART NO.
Jaw Rebuild Kit	6, 7, 8	4000501
Jaw Rebuild Kit (oversize)	6, 7a, 8	4000502
Bracket Pad Kit	4	4000528

KIT AVAILABLE	ITEMS INCLUDED IN KIT	PART NO.
Bracket Connection Kit	1-4	4000504
Operating Rod Kit	13-15, 18	4000508
Lock Kit	5, 9-12, 16	4000578

SIMPLEX IIR ROTARY PULL PARTS LIST AND REBUILD KITS-*DISCONTINUED*



ITEM NO.	DESCRIPTION	PART NO.
1	Bracket Pins (2 required)	5400705
2	Clinch Pins for Bracket Pins (2 required)	9900169
3	Bracket Shoes (2 required)	4100328
4	Bracket Pads (2 required)	4100329
5	Cover Plate	4100155
6	Clinch Pin for Jaw Pin	9900170
7	Jaw Pin (standard)	4109916
7a	Jaw Pin (oversize - not shown)	4109977
8	Jaw*	4109935
9	Lock	4109931

ITEM NO.	DESCRIPTION	PART NO.
10	Cotter Pin	84261
11	Lever Bar Pin	4000154
12	Lever Pin	4100152
13	Safety Indicator	4100150
14	Flange Nut	9900113
15	Operating Rod (2 piece)	4100357
16	Lock Spring	1200706
17	Grease Fittings (2 required)	84787
18	Lever Bar Retainer Plate	4100153
19	Weld Stud	4100180

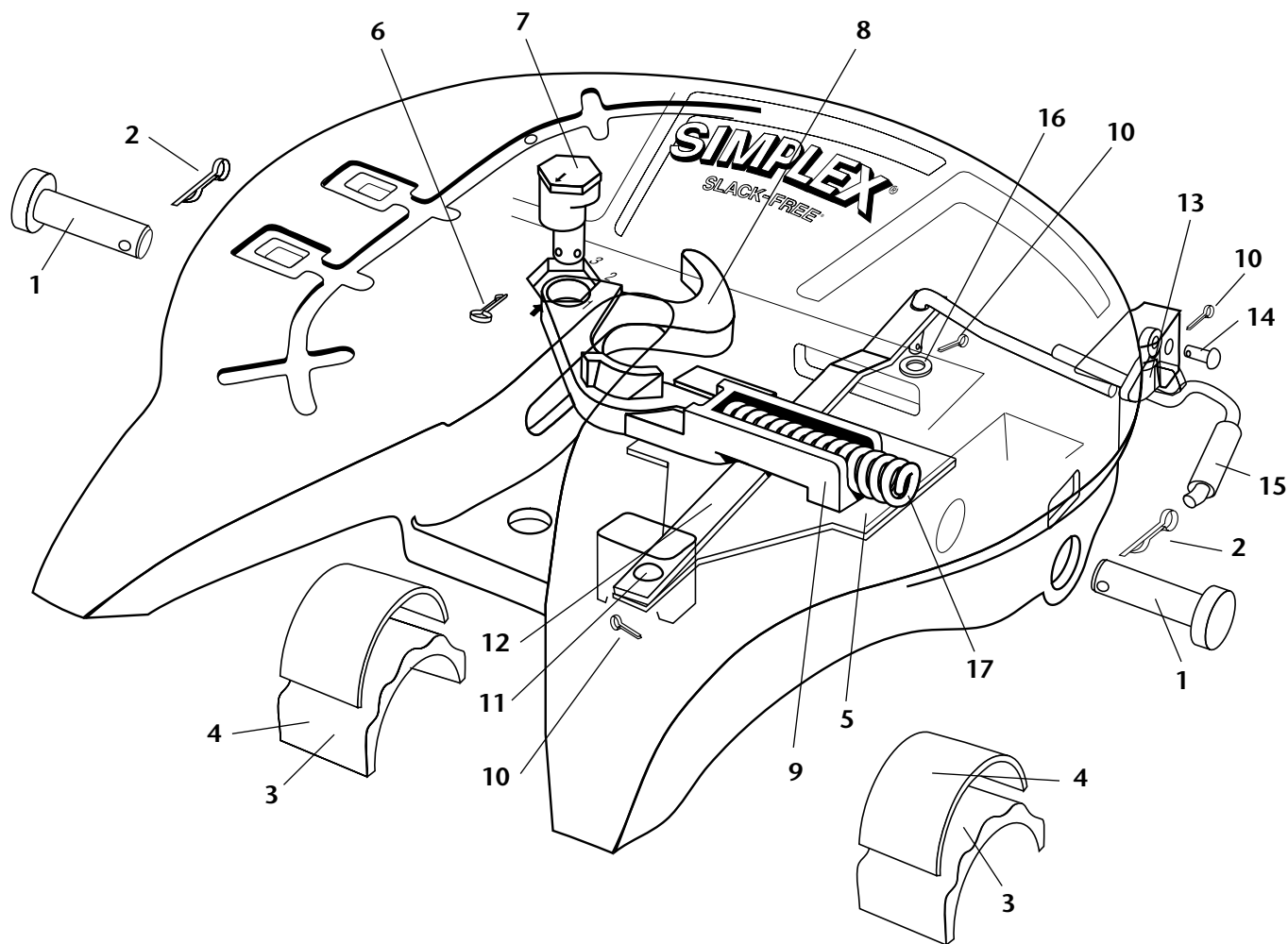
* Note: The current jaw 4109935, which replaces the previous design jaw 4109930, does not contain the lug "a" as pictured above.

Rebuild Kits

KIT AVAILABLE	ITEMS INCLUDED IN KIT	PART NO.
Jaw Rebuild Kit	6, 7, 8	4000501
Jaw Rebuild Kit (oversize)	6, 7a, 8	4000502
Bracket Pad Kit	4	4000528

KIT AVAILABLE	ITEMS INCLUDED IN KIT	PART NO.
Bracket Connection Kit	1-4	4000504
Operating Rod Kit	13-15, 19	4000510
Lock Kit	5, 9-12, 16, 18	4000578

SIMPLEX RIGHT-HAND PARTS LIST AND REBUILD KITS-*DISCONTINUED*



ITEM NO.	DESCRIPTION	PART NO.
1	Bracket Pins (2 required)	5400705
2	Clinch Pins for Bracket Pins (2 required)	9900169
3	Bracket Shoes (2 required)	4109811
4	Bracket Pads (2 required)	4100358
5	Cover Plate	4100767
6	Clinch Pin for Jaw Pin	9900170
7	Jaw Pin (standard)	4109916
7a	Jaw Pin (oversize \varnothing not shown)	4109977
8	Jaw*	4109920

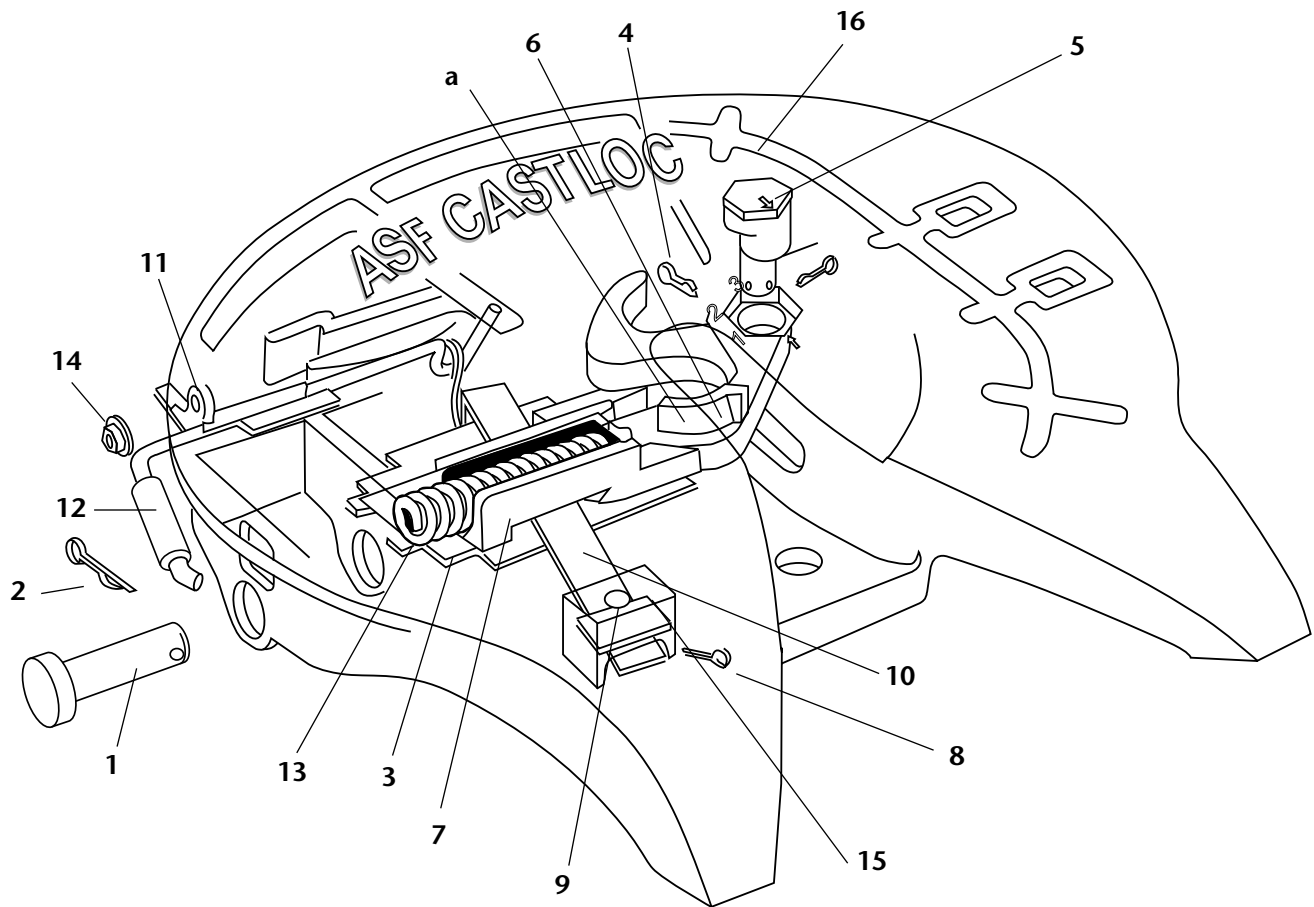
ITEM NO.	DESCRIPTION	PART NO.
9	Lock	4109808
10	Cotter Pin (2 required)	84261
11	Lever Bar Pin	5400766
12	Lever Bar	4100712
13	Safety Indicator	4109812
14	Safety Indicator Pin	5400711
15	Operating Rod	4100350
16	Washer	9900846
17	Lock Spring	1200706

Rebuild Kits

KIT AVAILABLE	ITEMS INCLUDED IN KIT	PART NO.
Jaw Rebuild Kit	6-8	4000503
Jaw Rebuild Kit (oversize)	6, 7a, 8	4000523
Bracket Pad Kit	4	4000529

KIT AVAILABLE	ITEMS INCLUDED IN KIT	PART NO.
Bracket Connection Kit	1-4	4000505
Operating Rod Kit	10, 13-16	4000511
Lock Kit	5, 9-12, 17	4000574

CASTLOC ROTARY PULL PARTS LIST AND REBUILD KITS-*DISCONTINUED*



ITEM NO.	DESCRIPTION	PART NO.
1	Bracket Pins (2 required)	4100239
2	Clinch Pins for Bracket Pins (2 required)	9900175
3	Cover Plate	4100155
4	Clinch Pin for Jaw Pin	9900170
5	Jaw Pin (standard)	4109916
5a	Jaw Pin (oversize - not shown)	4109977
6	Jaw *	4109935
7	Lock	4109931
8	Cotter Pin (2 required)	84261
9	Lever Bar Pin	4100154

ITEM NO.	DESCRIPTION	PART NO.
10	Lever Bar	4100152
11	Safety Indicator	4100150
12	Operating Rod (2 piece)	4100357
13	Lock Spring	1200706
14	Flange Nut	9900113
15	Lever Retaining Plate	4100153
16	Grease Fittings (2 required)	84787
17	Clinch Pin for Cover Plate (not shown)	9900170
18	Weld Stud (not shown)	4100180
19	Bracket Shim (2 required-not shown)**	4000263

* Note: The current jaw 4109935, which replaces the previous design jaw 4109930, does not contain the lug "a" as pictured above.

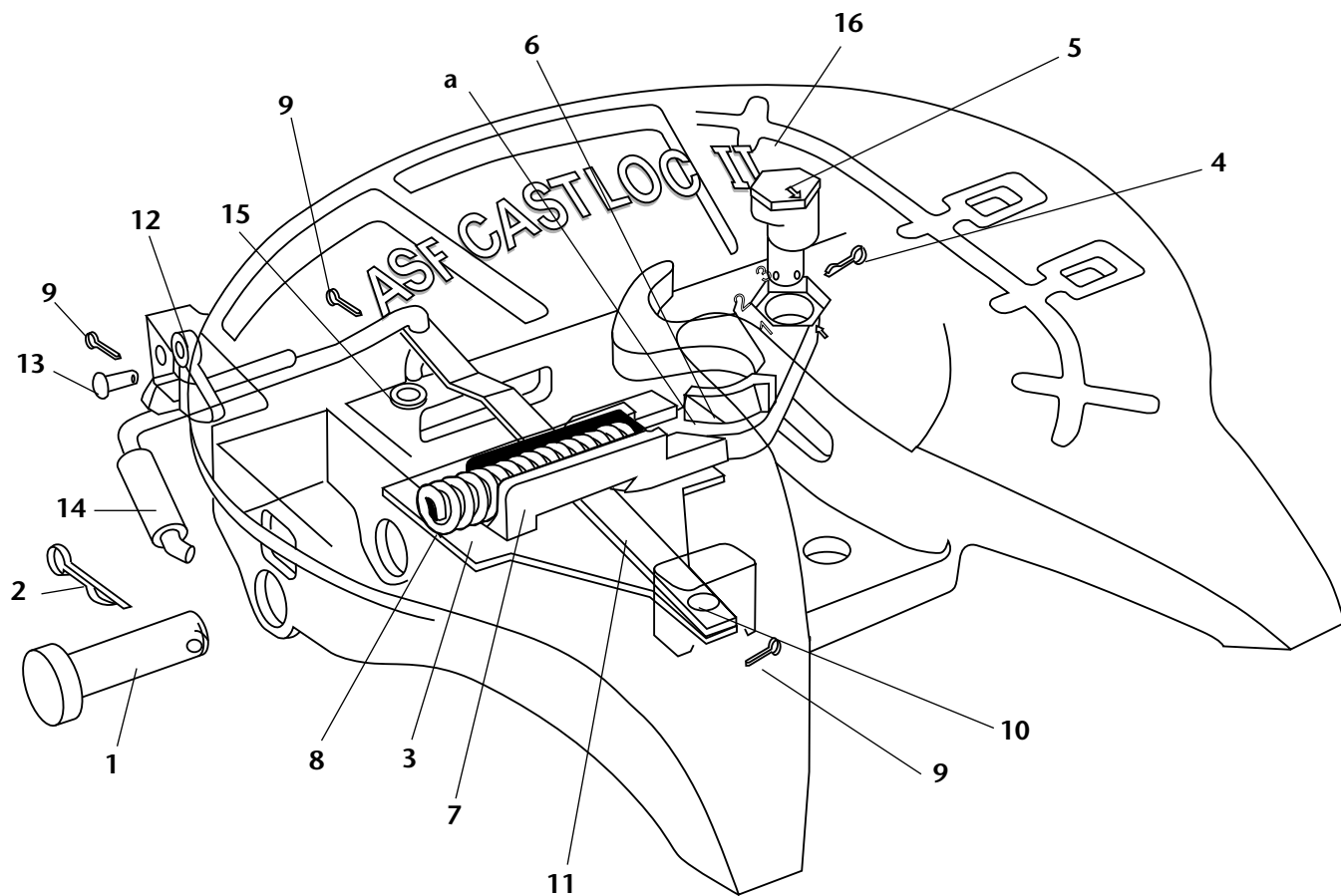
Rebuild Kits

KIT AVAILABLE	ITEMS INCLUDED IN KIT	PART NO.
Jaw Rebuild Kit	4-6	4000501
Jaw Rebuild Kit (oversize)	4, 5a, 6	4000502
Bracket Shim Kit**	19	4000530

KIT AVAILABLE	ITEMS INCLUDED IN KIT	PART NO.
Bracket Connection Kit *	1, 2, 19	4000506
Operating Rod Kit	11, 12, 14, 18	4000510
Lock Kit	3, 7-10, 13, 15	4000576

** Note: Bracket shims and kits containing shims can only be used when there is sufficient wear.

CASTLOC II STRAIGHT PULL PARTS LIST AND REBUILD KITS-*DISCONTINUED*



ITEM NO.	DESCRIPTION	PART NO.
1	Bracket Pins (2 required)	4100239
2	Clinch Pins for Bracket Pins (2 required)	9900175
3	Cover Plate	4100767
4	Clinch Pin for Jaw Pin	9900170
5	Jaw Pin (standard)	4109916
5a	Jaw Pin (oversize - not shown)	4109977
6	Jaw *	4109935
7	Lock	4109931
8	Lock Spring	1200706
9	Cotter Pin	84261

ITEM NO.	DESCRIPTION	PART NO.
10	Lever Bar Pin	5400766
11	Lever Bar	4100712
12	Safety Latch	4101250
13	Safety Latch Pin	5400711
14	Operating Rod**	4100342
15	Washer	9900846
16	Grease Fitting	84787
17	Bracket Shim (2 required-not shown)***	4000263
18	Slotted spring pin (not shown)	9900181

* Note: The current jaw 4109935, which replaces the previous design jaw 4109930, does not contain the lug "a" as pictured above.

Rebuild Kits

KIT AVAILABLE	ITEMS INCLUDED IN KIT	PART NO.
Jaw Rebuild Kit	4-6	4000501
Jaw Rebuild Kit (oversize)	4, 5a, 6	4000502
Bracket Shim Kit***	17	4000530

KIT AVAILABLE	ITEMS INCLUDED IN KIT	PART NO.
Bracket Connection Kit ***	1, 2, 17	4000506
Operating Rod Kit	9, 12-14, 18	4000519
Lock Kit	3, 7-11	4000572

** Note: The operating rod 4100342 has been redesigned and uses a slotted spring pin 9900181 instead of cotter pin 84261 (Item 9) and washer 9900846 (Item 15).

*** Note: Bracket shims and kits containing shims can only be used when there is sufficient wear.

HOLLAND SIMPLEX ASSEMBLIES

Simplex Active Fifth Wheels & Sliders

ITEM NO.	FIFTH WHEEL MODEL	SIMPLEX SE	SIMPLEX SE TOUCHLOC	SIMPLEX II SE	SIMPLEX II SE TOUCHLOC	SIMPLEX II SE RH* (RIGHT-HAND)	SIMPLEX II RH (RIGHT-HAND)	SIMPLEX YARD TRACTOR (SPOTTER)
1	Fifth Wheel Sub-Assembly	1040 2727 1040 2720	1060 2720	4102 2727 4102 2720	9502 720	1120 2720	1120 2700	4100 129 4100 219
2	Serial Number Prefix-	S1LS-	S1LT-	S2LS-	S2LT-	S2RS-	SR-	SA-
3	Replaced by Simplex Model	NA	NA	NA	NA	NA	II SE RH	NA
Kit Names and Numbers								
4	Handle Kit (handle part number)	4000 507 (4100 382)	4000 531 (4100 420)	4000 507 (4100 382)	4000 531 (4100 420)	4000 646 (4100 448)	4000 512 (4100 441)	NA
5	Alternate Handle Kit (45° chamfer) (handle part number)	4000 531 (4100 420)	NA	4000 531 (4100 420)	NA	NA	NA	NA
6	Jaw w/ Standard Pin	4000 644	4000 644	4000 644	4000 644	4000 645	4000 503	4000 503
7	Jaw w/ Oversized Pin	NA	NA	NA	NA	NA	4000 523	4000 523
8	Jaw & Return Spring Retrofit	NA	NA	NA	NA	NA	4000 540	NA
9	Kingpin Gauge (Jaw Adjustment Tool)	4000 171	4000 171	4000 171	4000 171	4000 171	4000 171	4000 171
10	Lock	4000 647	4000 647	4000 647	4000 647	4000 648	4000 574	4000 574
11	** Standard pad: 0.38" thickness	4000 504	4000 504	4000 504	4000 504	4000 504	4000 504	NA
12	** Large pad: 0.42" thickness	4000 588	4000 588	4000 588	4000 588	4000 588	4000 588	NA
13	** Small Pad: 0.33" thickness	4000 641	4000 641	4000 641	4000 641	4000 641	4000 641	NA
14	** Simplex RH Pad: 0.58" thickness	NA	NA	NA	NA	NA	NA	4000 505
15	** Castloc & Castloc II	NA	NA	NA	NA	NA	NA	NA
16	** 400C	NA	NA	NA	NA	NA	NA	NA
17	Pad, Standard: 0.38" thickness	4000 528	4000 528	4000 528	4000 528	4000 528	4000 528	NA
18	Pad, Large: 0.42" thickness	4000 587	4000 587	4000 587	4000 587	4000 587	4000 587	NA
19	Pad, Small: 0.33" thickness	4000 640	4000 640	4000 640	4000 640	4000 640	4000 640	NA
20	Pad, Simplex RH: 0.58" thickness	NA	NA	NA	NA	NA	NA	4000 529
21	Touchloc Air Cylinder	NA	4000 273	NA	4000 273	NA	NA	4100 304
22	Shims, Poly (Castloc Series)	NA	NA	NA	NA	NA	NA	NA
23	Shims, Steel - weld to bracket	NA	NA	NA	NA	NA	NA	NA
Bulk Kits - Individual Parts (Quantity/Kit)								
24	Handle (5)	B4100 382	NA	B4100 382	NA	NA	B4100 441	NA
25	Indicator (5) (10 for 400C)	B4101 250	NA	B4101 250	NA	B4100 428	B4100 428	NA
26	Handle (45° Chamfer) (5)	B4100 420	B4100 420	B4100 420	B4100 420	NA	NA	NA
27	Indicator (45° Chamfer) (5)	B4100 294	B4100 294	B4100 294	B4100 294	NA	NA	NA
28	Lock Spring (5)	B1200 706	B1200 706	B1200 706	B1200 706	B1200 706	B1200 706	B1200 706
29	Jaw Return Spring (10)	B1200 101	B1200 101	B1200 101	B1200 101	B1200 101	NA	NA
30	Poly Shoes (10)	B4100 328	B4100 328	B4100 328	B4100 328	B4100 328	B4100 328	NA
31	Steel Shoes (10)	NA	NA	NA	NA	NA	NA	B4109 811
32	Pads, Standard, .38" (20)	B4100 329	B4100 329	B4100 329	B4100 329	B4100 329	B4100 329	NA
33	Pads, Large, .42" (20)	B4100 376	B4100 376	B4100 376	B4100 376	B4100 376	B4100 376	NA
34	Pads, Small, .33" (20)	B4100 339	B4100 339	B4100 339	B4100 339	B4100 339	B4100 339	NA
35	Pads, Simplex RH, .58" (20)	NA	NA	NA	NA	NA	NA	B4100 358
36	Poly Shims (20)	NA	NA	NA	NA	NA	NA	NA
37	Steel Shims (20) - weld to bracket	NA	NA	NA	NA	NA	NA	B4100 655
SE, TAPERLOC SE, TAPERLOC XL (4" INCREMENT) INBOARD INTEGRAL								
38	Serial Number Prefix-	TL-	TL-	TL-	TL-	TL-	TL-	IBS-
Kit Names and Numbers								
39	Air Cylinder	4300 228	4300 162	4300 610				
40	Bolt-on removable stops	4300 227***	4300 209	4300 226***				
41	Slide Bracket air 6.81"	4300 298	4300 165	4300 596***				
42	Slide Bracket air 7.75"	4300 299	4300 166	4300 597***				
43	Slide Bracket air 8.75"	4300 300	4300 167	4300 598***				
44	Slide Bracket air 9.75"	NA	4300 172	NA				
45	Slide Bracket manual 6.81"	NA	4300 204	NA				
46	Slide Bracket manual 7.75"	NA	4300 205	NA				
47	Slide Bracket manual 8.75"	NA	4300 206	NA				
48	Slide Bracket manual 9.75"	NA	4300 173	NA				

, bracket connection; *, check for availability; NA, not applicable.

DISCONTINUED SIMPLEX, CASTLOC, 400C AND SLIDER KITS

Simplex Discontinued Fifth Wheels

ITEM NO.	SIMPLEX LITE	SIMPLEX LITE TOUCHLOC	SIMPLEX LITE ROTARY	SIMPLEX LITE ROTARY TOUCHLOC	SIMPLEX II & SIMPLEX III	SIMPLEX II & SIMPLEX III TOUCHLOC	SIMPLEX IIR & SIMPLEX IIIR ROTARY	SIMPLEX IIR & SIMPLEX IIIR TOUCHLOC	SIMPLEX RH (RIGHT-HAND)
1	1040 2700 1040 2707	1060 2700	1080 2700	1100 2700	4102 700 4102 707	9502 700	7102 700	7502 700	4102 764 4101 414 4101 424
2	SLS-, LSLs-	SLS-, LSLs-	SLR	SLR-	SL-, LSL-, SRY-	SL-, LSL-, SRY-	SRL-, SRYL-	SRL-, SRYL-	SR-
3	SE	SE Touchloc	SE	SE Touchloc	II SE	II SE Touchloc	II SE	II SE Touchloc	II SE RH
Kit Numbers									
4	4000 507 (4100 382)	4000 531 (4100 420)	4000 508 (4100 386)	4000 508 (4100 386)	4000 650 (4100 332)	4000 532 (4100 296)	4000 510 (4100 357)	4000 510 (4100 357)	4000 511 (4100 350)
5	400 531 (4100 420)	NA	NA	NA	4000 509 (4100 342)	NA	NA	NA	NA
6	4000 501	4000 501	4000 501	4000 501	4000 501	4000 501	4000 501	4000 501	4000 503
7	4000 502	4000 502	4000 502	4000 502	4000 502	4000 502	4000 502	4000 502	4000 523
8	4000 539	4000 539	4000 539	4000 539	4000 539	4000 539	4000 539	4000 539	4000 540
9	4000 171	4000 171	4000 171	4000 171	4000 171	4000 171	4000 171	4000 171	4000 171
10	4000 570	4000 570	4000 578	4000 578	4000 572	4000 572	4000 576	4000 576	4000 574
11	4000 504	4000 504	4000 504	4000 504	4000 504	4000 504	4000 504	4000 504	NA
12	4000 588	4000 588	4000 588	4000 588	4000 588	4000 588	4000 588	4000 588	NA
13	4000 641	4000 641	4000 641	4000 641	4000 641	4000 641	4000 641	4000 641	NA
14	NA	NA	NA	NA	NA	NA	NA	NA	4000 505
15	NA	NA	NA	NA	NA	NA	NA	NA	NA
16	NA	NA	NA	NA	NA	NA	NA	NA	NA
17	4000 528	4000 528	4000 528	4000 528	4000 528	4000 528	4000 528	4000 528	NA
18	4000 587	4000 587	4000 587	4000 587	4000 587	4000 587	4000 587	4000 587	NA
19	4000 640	4000 640	4000 640	4000 640	4000 640	4000 640	4000 640	4000 640	NA
20	NA	NA	NA	NA	NA	NA	NA	NA	4000 529
21	NA	4000 273	NA	4000 272	NA	4100 269	NA	4100 258	NA
22	NA	NA	NA	NA	NA	NA	NA	NA	NA
23	NA	NA	NA	NA	NA	NA	NA	NA	NA
Bulk Kits - Individual Parts (Quantity/Kit)									
24	B4100 382	NA	B4100 386	B4100 386	B4100 332	NA	B4100 357	B4100 357	B4100 350
25	B4101 250	NA	B4100 374	B4100 374	B4101 250	NA	B4100 150	B4100 150	B4100 428
26	B4100 420	B4100 420	NA	NA	B4100 342	B4100 296	NA	NA	NA
27	B4100 294	B4100 294	NA	NA	B4100 294	B4100 294	NA	NA	NA
28	B1200 706	B1200 706	B1200 706	B1200 706	B1200 706	B1200 706	B1200 706	B1200 706	B1200 706
29	NA	NA	NA	NA	NA	NA	NA	NA	NA
30	B4100 328	B4100 328	B4100 328	B4100 328	B4100 328	B4100 328	B4100 328	B4100 328	NA
31	NA	NA	NA	NA	NA	NA	NA	NA	B4109 811
32	B4100 329	B4100 329	B4100 329	B4100 329	B4100 329	B4100 329	B4100 329	B4100 329	NA
33	B4100 376	B4100 376	B4100 376	B4100 376	B4100 376	B4100 376	B4100 376	B4100 376	NA
34	B4100 339	B4100 339	B4100 339	B4100 339	B4100 339	B4100 339	B4100 339	B4100 339	NA
35	NA	NA	NA	NA	NA	NA	NA	NA	B4100 358
36	NA	NA	NA	NA	NA	NA	NA	NA	NA
37	NA	NA	NA	NA	NA	NA	NA	NA	NA

DISCONTINUED SIMPLEX, CASTLOC, 400C AND SLIDER KITS *continued*

Castloc & 400C Discontinued Fifth Wheels

ITEM NO.	FIFTH WHEEL MODEL	CASTLOC II & CASTLOC III	CASTLOC II & CASTLOC III TOUCHLOC	CASTLOC ROTARY	CASTLOC ROTARY TOUCHLOC	400C
1	Fifth Wheel Sub-Assembly	A7202 700 7202 700A	A7602 700 7602 700A	7202 700	7602 700	4102 846
2	Serial Number Prefix-	CA-, CR-, CV-	CA-, CR-, CV-	CL-	CL-	AL-
3	Replaced by Simplex Model	II SE	II SE Touchloc	II SE	II SE Touchloc	II SE
Kit Names and Numbers						
4	Handle Kit (handle part number)	4000 650 (4100 332)	4000 532 (4100 296)	4000 510 (4100 357)	4000 510 (4100 357)	4000 632 (4109 944)
5	Alternate Handle Kit (45° chamfer) (handle part number)	NA	NA	NA	NA	NA
6	Jaw w/ Standard Pin	4000 501	4000 501	4000 501	4000 501	4000 178
7	Jaw w/ Oversized Pin	4000 502	4000 502	4000 502	4000 502	NA
8	Jaw & Return Spring Retrofit	4000 539	4000 539	4000 539	4000 539	NA
9	Kingpin Gauge (Jaw Adjustment Tool)	4000 171	4000 171	4000 171	4000 171	NA
10	Lock	4000 572	4000 572	4000 576	4000 576	NA
11	* Standard pad: 0.38" thickness	NA	NA	NA	NA	NA
12	* Large pad: 0.42" thickness	NA	NA	NA	NA	NA
13	* Small Pad: 0.33" thickness	NA	NA	NA	NA	NA
14	* Simplex RH Pad: 0.58" thickness	NA	NA	NA	NA	NA
15	* Castloc & Castloc II	4000 506	4000 506	4000 506	4000 506	NA
16	**400C	NA	NA	NA	NA	4000 195
17	Pad, Standard: 0.38" thickness)NA	NA	NA	NA	NA	
18	Pad, Large: 0.42" thickness	NA	NA	NA	NA	NA
19	Pad, Small: 0.33" thickness	NA	NA	NA	NA	NA
20	Pad, Simplex RH: 0.58" thickness	NA	NA	NA	NA	NA
21	Touchloc Air Cylinder	NA	4100 269	NA	4100 258	NA
22	Shims, Poly (Castloc Series)	4000 530	4000 530	4000 530	4000 530	NA
23	Shims, Steel - weld to bracket	4000 630	4000 630	4000 630	4000 630	4000 630
Bulk Kits - Individual Parts (Quantity/Kit)						
24	Handle (5)	B4100 332	B4100 296	B4100 357	B4100 357	NA
25	Indicator (5) (10 for 400C)	B4101 250	B4100 294	B4100 150	B4100 150	B4109 948
26	Handle (45° Chamfer) (5)	NA	NA	NA	NA	NA
27	Indicator (45° Chamfer) (5)	NA	NA	NA	NA	NA
28	Lock Spring (5)	B1200 706	B1200 706	B1200 706	B1200 706	NA
29	Jaw Return Spring (10)	NA	NA	NA	NA	NA
30	Poly Shoes (10)	NA	NA	NA	NA	NA
31	Steel Shoes (10)	NA	NA	NA	NA	NA
32	Pads, Standard, .38" (20)	NA	NA	NA	NA	NA
33	Pads, Large, .42" (20)	NA	NA	NA	NA	NA
34	Pads, Small, .33" (20)	NA	NA	NA	NA	NA
35	Pads, Simplex RH, .58" (20)	NA	NA	NA	NA	NA
36	Poly Shims (20)	B4000 263	B4000 263	B4000 263	B4000 263	NA
37	Steel Shims (20) - weld to bracket	B4100 655	B4100 655	B4100 655	B4100 655	B4100 655

This page intentionally left blank



SAF-HOLLAND USA, Inc.
888.396.6501 Fax 800.356.3929

SAF-HOLLAND Canada, Ltd.
519.537.3494 Fax 800.565.7753
Western Canada
604.574.7491 Fax 604.574.0244

SAF-HOLLAND International, Inc.
616.396.6501 Fax 616.356.1511